

MODELS

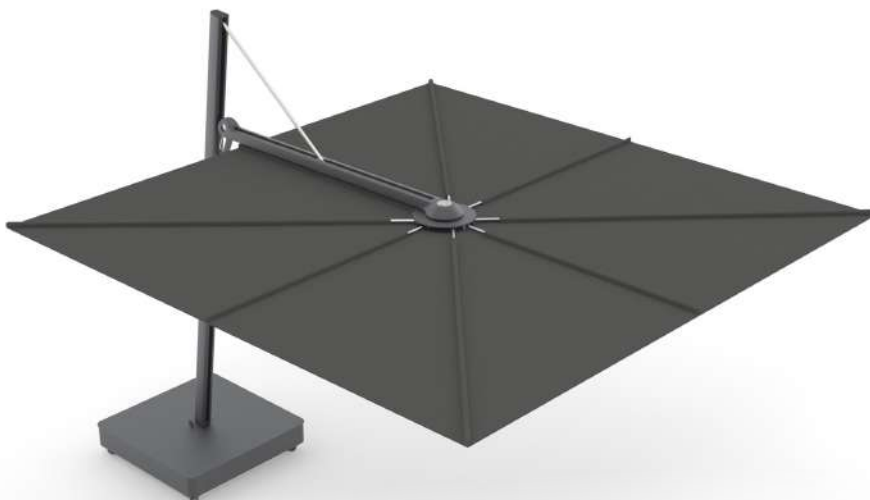
ARCHITECTURE



Marble

RAL 9018
Papyrus White

FULL BLACK



Black

RAL9005
Black

SAND



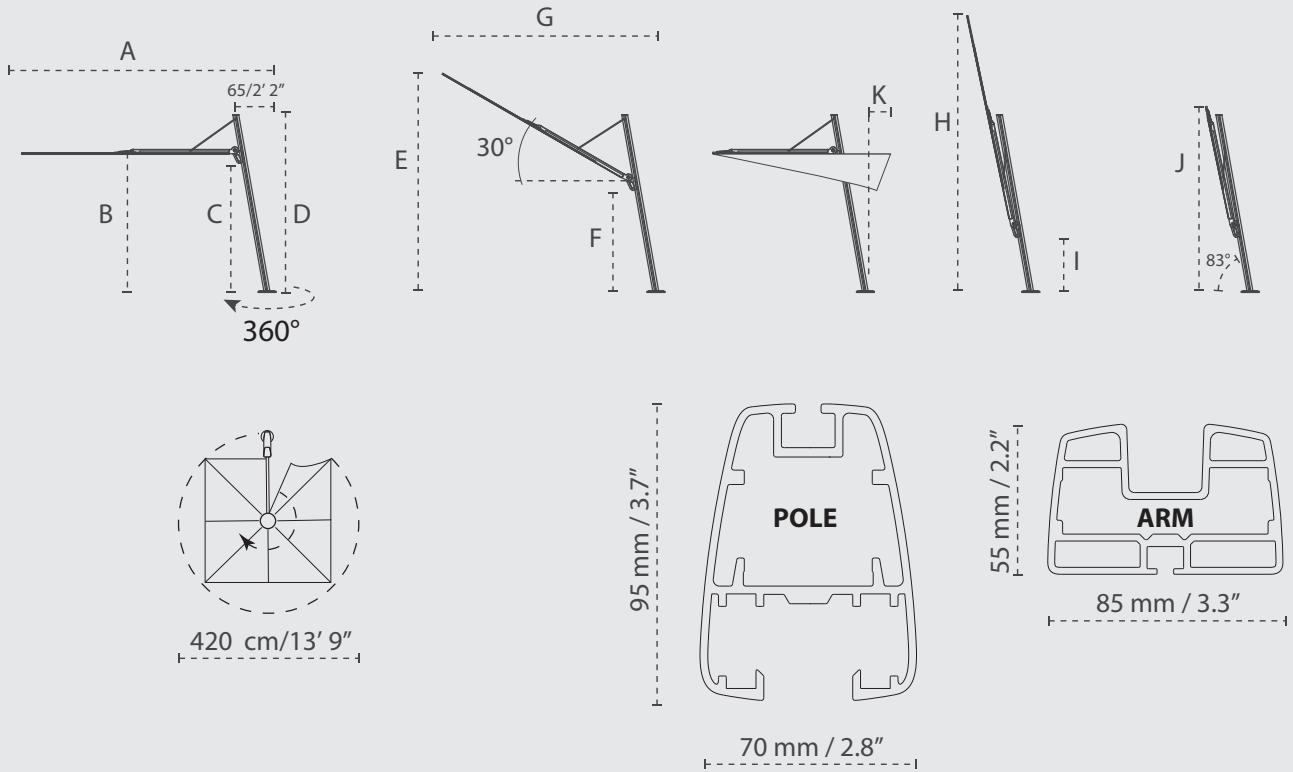
Sand

RAL 1013
Beige
Limestone

Thermo
Populier

DIMENSIONS

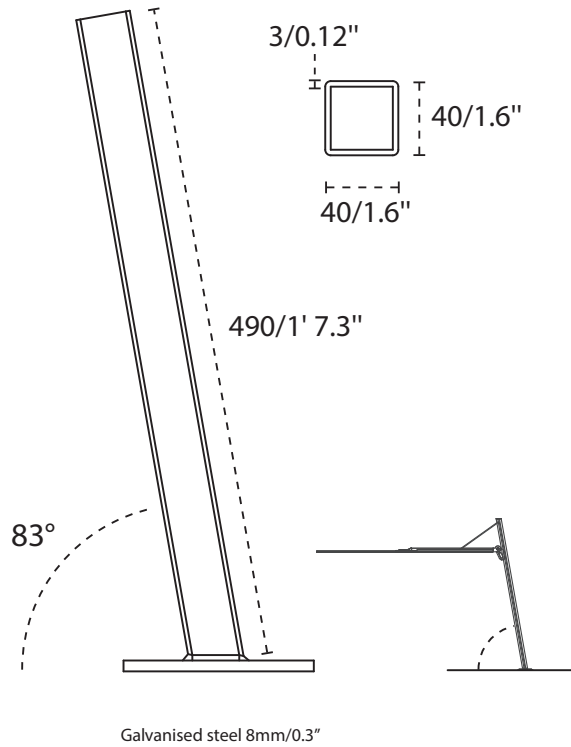
ARCHITECTURE / FULL BLACK / SAND



+/- 2% -----	A	B	C	D	E	F	G	H	I	J	K
	cm/ft	cm/ft	cm/ft	cm/ft	cm/ft	cm/ft	cm/ft	cm/ft	cm/ft	cm/ft	cm/ft
3 x 3 m / 9' 10" x 9' 10"	365 / 11' 12"	195 / 6' 5"	185 / 6' 1"	260 / 8' 6"	280 / 9' 2"	128 / 4' 2"	325 / 10' 8"	410 / 13' 5"	77 / 2' 6"	265 / 8' 8"	0 / 0"

DIMENSIONS / MATERIALS SPIGOT (mm/ft)

ARCHITECTURE / FULL BLACK / SAND



MATERIALS



FABRIC

Colorum - 100% Acryl 260 gr/m²
More details - see spec sheet Fabrics



RIBS

Glass fiber ribs - Ø 16mm/0.63"



POLE

Aluminum,
powder coated



HANDLES

Casted aluminum, powder coated
Stainless steel 316, polished



ARCHITECTURE / FULL BLACK

Galvanised steel, powder coated
RAL 9018 Papyrus White and
RAL 9005 Black



BASE SAND

Galvanised steel, powder coated
RAL 1013 Limestone Beige,
wooden cover Thermo Populier

PACKAGING & TRANSPORT

Versa UX	L (cm)	W (cm)	H (cm)	Weight (kg)	L (ft)	W (ft)	H (ft)	Weight (lbs)
Umbrella box	273	36	33	32	8'11.5"	1'2.2"	1'1"	70
Base L UX Black/Archi	88.8	88.8	15	32 kg	2'11"	2'11"	5.9"	70.4
Base L UX Black / Archi package	90	90	16	33 kg	2'11.4"	2'11.4"	6.3"	72.6
Base L UX Sand	88.8	88.8	16.5	32 kg	2'11"	2'11"	6.5"	70.4
Base L UX Sand package	90	90	18	33 kg	2'11.4"	2'11.4"	7.1"	72.6

NICE TO KNOW

- Spare parts available
- Designed and manufactured in Belgium
- Warranty between 10 and 2 years, please consult our warranty policy at www.umbrosa.com
- Download owner's manual (QR-code included), also available at www.umbrosa.com
- Storage bag included (Colorum Flanelle)
- Wind speeds up to 5 beaufort, 30 km/h, 18 mph when base is permanently fixed
- Tested at TU Delft

SAFETY STATEMENTS & WARNINGS

- Product is suitable for light wind and/or light rain only.
- Position product in direction of wind as recommended in user manual.
- Do not use product in inclement weather, such as strong wind, thunderstorms, heavy rain or snow, and make sure that the umbrella is closed and stored in advance.
- Never allow the umbrella to flap in the wind. This could cause personal injury, damage to personal property, damage to umbrella and/or umbrella canopy.
- Close product and secure strap when not in use.
- Do not use product without its base or unless attached to building structure, and keep umbrella secured to umbrella base or mount at all times.
- Do not use product over or near harsh chemicals or open flames.
- Place product on stable and level surface.
- Do not allow children to assemble or operate product.
- Do not leave product unattended.
- Store product indoors during winter and extreme weather conditions.
- When adjusting or assembling the umbrella or umbrella base, make sure fingers, toes or any other parts of the body are clear from moving parts. Failing to do so may result in serious injury.
- Only use Umbrosa replacement parts.
- Read owner's manual.
- Any modifications to the product or failure to follow recommended care will void the warranty.
- Wind damage is not covered under our limited warranty.

The content of this document, in particular the mentioned models, is protected by copyrights and/or design rights. The present document and its content is communicated to you for information purposes only. Any partial or total reproduction or any other use without our prior written permission is strictly prohibited. This technical sheet remains subject to possible changes. Of course we do our best to eliminate all mistakes, but Umbrosa is not responsible for the errors in the documentation of products. All measurements are approximate and are provided for informational purposes only.

MODELS

FULL BLACK



Black

RAL9005
Black

ARCHITECTURE

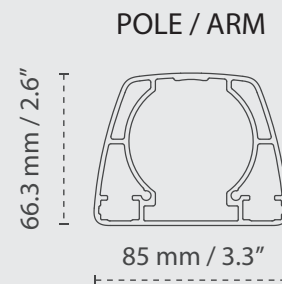
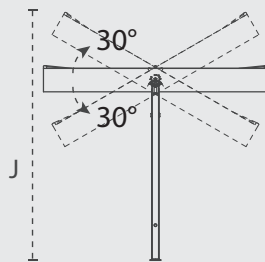
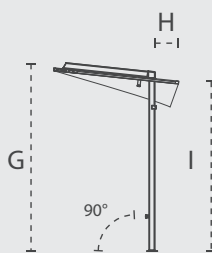
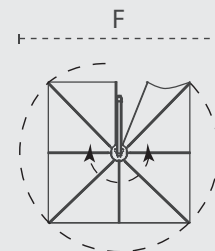
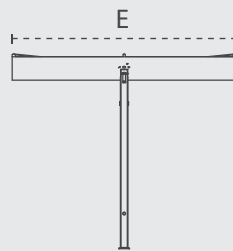
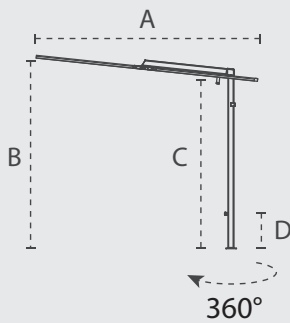


Marble

RAL 9018
Papyrus
white

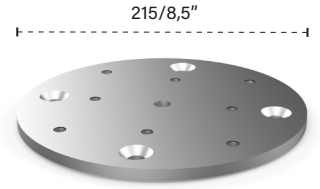
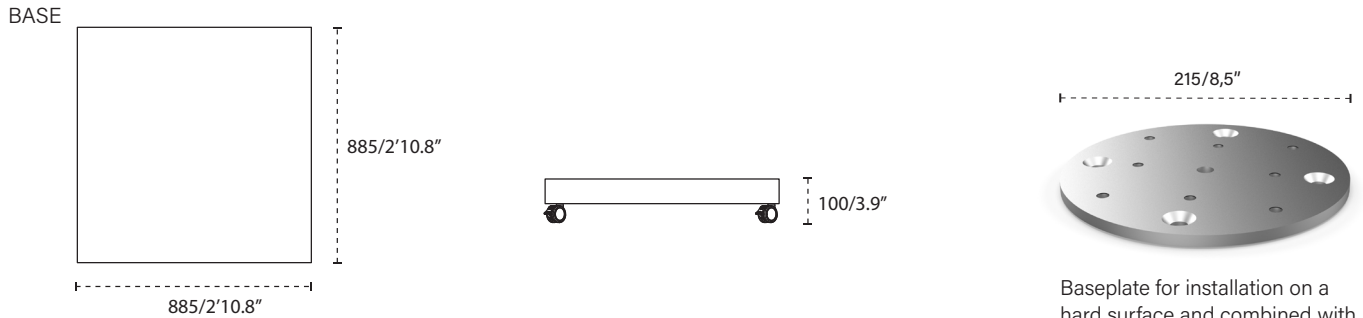
DIMENSIONS

NANO UX



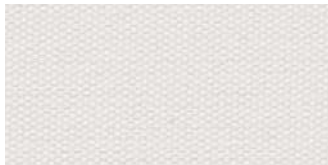
+/- 2% Tolerance	A cm/ft	B cm/ft	C cm/ft	D cm/ft	E cm/ft	F cm/ft	G cm/ft	H cm/ft	I cm/ft	J cm/ft
2.5m/8' 2"	250/8' 2"	210/7' 2.6"	190/6' 2.8"	39/1' 3.4"	250/8' 2.4"	355/11' 7.8"	210/6' 10.7"	30/ 11.8"	190/6' 2.8"	265/8' 8.3"

DIMENSIONS BASE AND BASEBLATE (MM/FT)



Baseplate for installation on a hard surface and combined with an anchorage on a soft surface.

MATERIALS



FABRIC

Colorum – 100% Acryl 260 gr/m²
More details – see spec sheet Fabrics



RIBS

Aluminum ribs



POLE, ARM AND HANDLES

Aluminum powder coated RAL 9005
Black or RAL 9018 Papyrus White



BASE

Base: hot dip galvanised steel
Cover: Aluminum Powder coated
RAL 9005 or RAL 9018

PACKAGING & TRANSPORT

NANO UX	L (cm)	W (cm)	H (cm)	Weight (kg)	L (ft)	W (inch)	H (inch)	Weight (lbs)
Umbrella box	205	31	17	25	6' 8.7"	1' 0.2"	6.7"	55
Medium base	88.6	88.6	10	17 kg	2'10.9"	2'10.9"	3.9"	37.4
Medium base package	90	90	11	18 kg	2'11.4"	2'11.4"	4.3"	39.6

NICE TO KNOW

- Spare parts available
- Designed and manufactured in Belgium
- Warranty between 10 and 2 years, please consult our warranty policy at www.umbrosa.com
- Download owner's manual (QR-code included), also available at www.umbrosa.com
- Storage bag included (Colorum Flanelle)
- Wind speeds up to 5 beaufort, 30 km/h, 18 mph when base is permanently fixed
- Tested at TU Delft

SAFETY STATEMENTS & WARNINGS

- Product is suitable for light wind and/or light rain only.
- Position product in direction of wind as recommended in user manual.
- Do not use product in inclement weather, such as strong wind, thunderstorms, heavy rain or snow, and make sure that the umbrella is closed and stored in advance.
- Never allow the umbrella to flap in the wind. This could cause personal injury, damage to personal property, damage to umbrella and/or umbrella canopy.
- Close product and secure strap when not in use.
- Do not use product without its base or unless attached to building structure, and keep umbrella secured to umbrella base or mount at all times.
- Do not use product over or near harsh chemicals or open flames.
- Place product on stable and level surface.
- Do not allow children to assemble or operate product.
- Do not leave product unattended.
- Store product indoors during winter and extreme weather conditions.
- When adjusting or assembling the umbrella or umbrella base, make sure fingers, toes or any other parts of the body are clear from moving parts. Failing to do so may result in serious injury.
- Only use Umbrosa replacement parts.
- Read owner's manual.
- Any modifications to the product or failure to follow recommended care will void the warranty.
- Wind damage is not covered under our limited warranty.

The content of this document, in particular the mentioned models, is protected by copyrights and/or design rights. The present document and its content is communicated to you for information purposes only. Any partial or total reproduction or any other use without our prior written permission is strictly prohibited. This technical sheet remains subject to possible changes. Of course we do our best to eliminate all mistakes, but Umbrosa is not responsible for the errors in the documentation of products. All measurements are approximate and are provided for informational purposes only.

MODELS



Straight



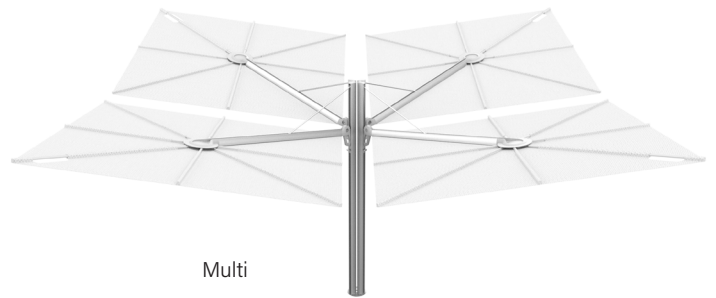
Forward



Opposite

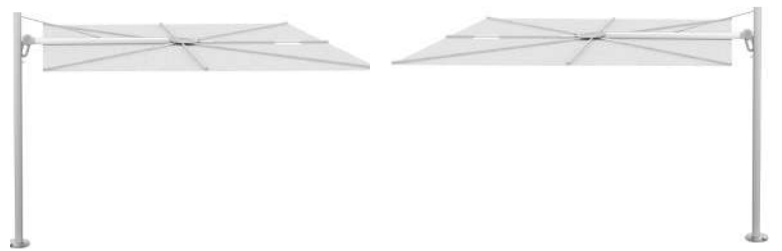


Duo



Multi

POSITIONS



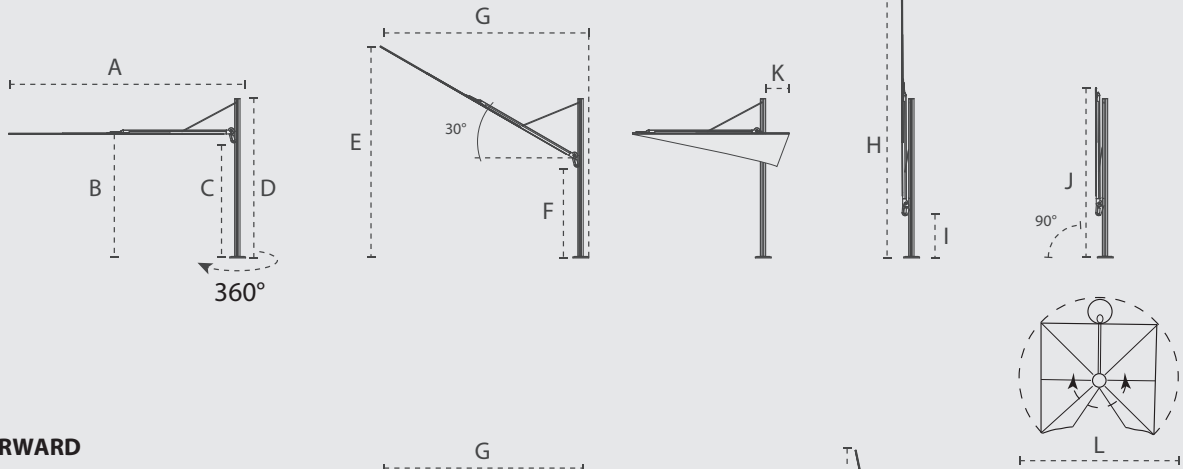
COLORS

	Marble	Curacao	Mint	Blush	Pepper	Almond	Sand	Blue Storm	Flanelle	Black
COLORUM										
SOLIDUM										
	Natural	Canvas	Grey	Taupe						

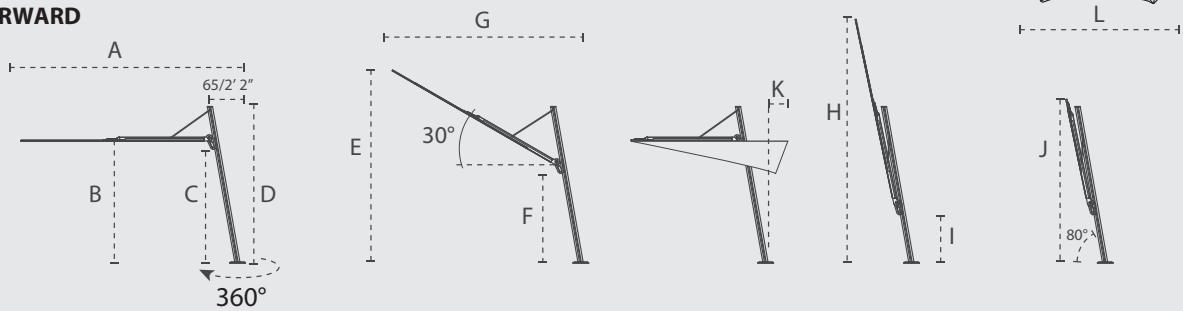
All colors of the fabric range furniture grade Solids' (no stripes or patterns) are available on special request with a minimum order quantity of 10 pcs. Contact Umbrosa for more information.

DIMENSIONS

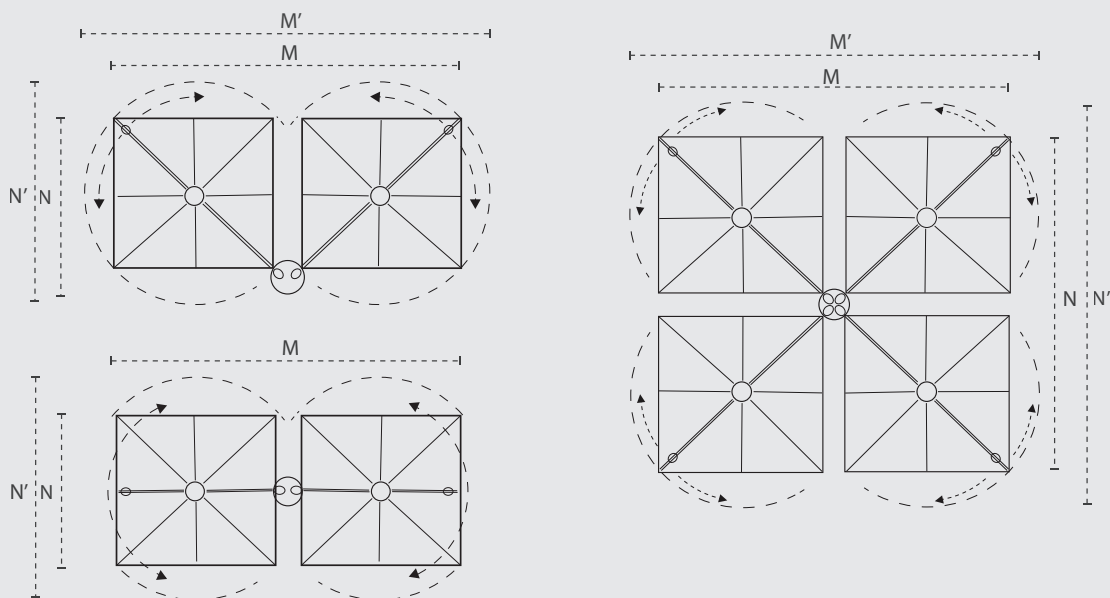
STRAIGHT



FORWARD



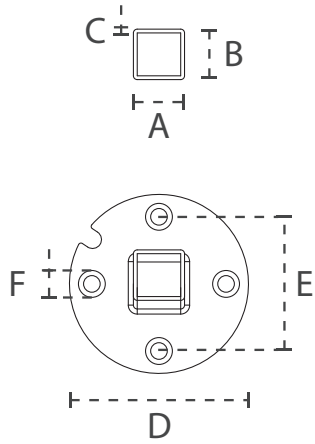
		A	B	C	D	E	F	G	H	I	J	K	L
		cm/ft	cm/ft	cm/ft	cm/ft	cm/ft	cm/ft	cm/ft	cm/ft	cm/ft	cm/ft	cm/ft	cm/ft
Straight	2.5m/8' 2"	295/9' 8"	200/6' 7"	185/6' 1"	260/8' 7"	270/8' 10.3"	135/4' 5"	240/7' 10.5"	360/11' 10"	90/2' 11"	260/8' 7"	35/1' 1.8"	370/12' 2"
	3m/9' 10"	345/11' 4"	205/6' 9"	185/6' 1"	260/8' 7"	280/9' 2"	140/4' 7"	250/8' 2.4"	400/13' 2"	80/2' 8"	270/8' 10"	50/1' 7.7"	435/14' 3"
Forward	2.5m/8' 2"	330/10' 10"	195/6' 5"	180/5' 11"	255/8' 8"	270/8' 10.3"	135/4' 5"	305/10'	350/11' 6"	90/2' 11"	260/8' 7"	0/0"	370/12' 2"
	3 m/9' 10"	380/12' 6"	195/6' 5"	180/5' 11"	255/8' 8"	280/9' 2"	140/4' 7"	315/10' 4"	390/12' 10"	80/2' 8"	260/8' 7"	5/1' 1.97"	435/14' 3"



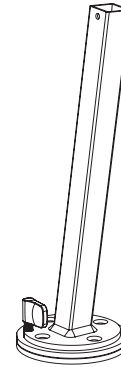
	A	B	C	D	E	F	G	J	I	M	M'	N	N'
	cm/ft	cm/ft	cm/ft	cm/ft	cm/ft	cm/ft	cm/ft	cm/ft	cm/ft	cm/ft	cm/ft	cm/ft	cm/ft
Spectra Duo	253/8' 4"	197/6' 6"	187/6' 2"	260/8' 7"	340/11' 2"	135/4' 5"	210/6' 10.7"	270/8' 10"	50/1' 7.7"	540/17' 9"	644/21' 2"	285/9' 4"	337/11' 1"
Spectra Multi	253/8' 4"	197/6' 6"	187/6' 2"	260/8' 7"	340/11' 2"	140/4' 7"	210/6' 10.7"	270/8' 10"	50/1' 7.7"	540/17' 9"	644/21' 2"	540/17' 9"	644/21' 2"
Opposite 250	295/9' 8"	200/6' 7"	185/6' 1"	260/8' 7"	270/8' 10"	110/3' 7"	240/7' 10.5"	260/8' 6.4"	90/2' 11.4"	560/18' 4.5"	n/a	250/8' 2"	370/12' 2"
Opposite 300	345/11' 4"	205/6' 9"	185/6' 1"	260/8' 7"	280/9' 2"	110/3' 7"	250/8' 2.4"	270/8' 10"	80/2' 7.5"	660/21' 7.8"	n/a	300/9' 10"	435/14' 3"

DIMENSIONS / MATERIALS SPIGOT

SINGLE

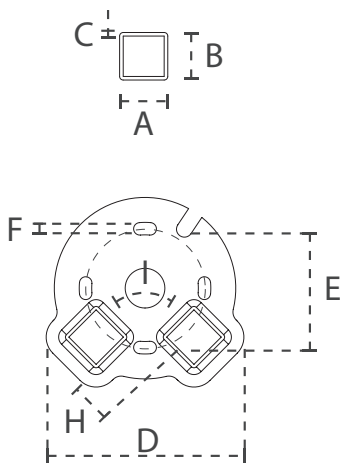


Material: Galvanised steel 8mm/0.3"

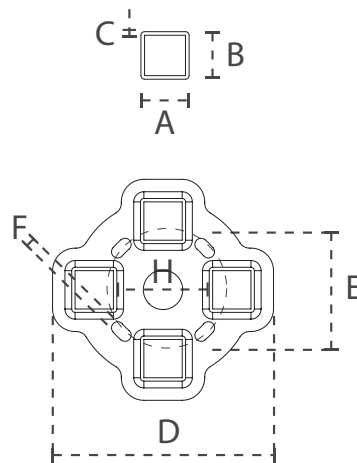


Geomet (marine grade)
coated steel 8mm/0.3"
Nylon 1mm/0.04"

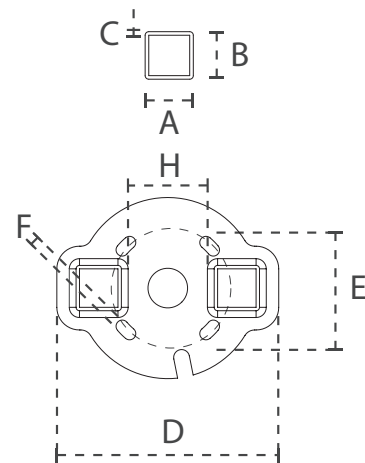
DUO



MULTI

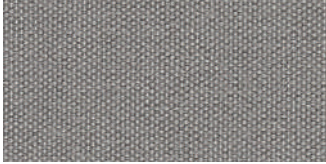


OPPOSITE



	A	B	C	D	E	F	G	H	I
	mm/inch	mm/inch	mm/inch	mm/inch	mm/inch	mm/inch	mm/inch	mm/inch	mm/inch
Straight/Forward	40/1.6"	40/1.6"	3/0.12"	215/8.5"	170/6.7"	11/0.43"	490/17.3"	-	-
Duo	40/1.6"	40/1.6"	3/0.12"	215/8.5"	170/6.7"	11/0.43"	490/17.3"	40/1.6"	45
Multi	40/1.6"	40/1.6"	3/0.12"	215/8.5"	170/6.7"	11/0.43"	490/17.3"	80/3.1"	45
Opposite	40/1.6"	40/1.6"	3/0.12"	215/8.5"	170/6.7"	11/0.43"	490/17.3"	80/3.1"	-

MATERIALS



FABRIC

Solidum – 100% Acryl 250 gr/m²

Colorum – 100% Acryl 260 gr/m²

More details – see spec sheet Fabrics

Confection Scheme:



250 SQ
300 SQ



300 SQ Sunbrella



RIBS

Glass fiber ribs - Ø 16mm - 0.63"



POLE

Naturally anodized aluminum.

Also available in

Black (RAL 9005)



OTHER MATERIALS

Handle: casted aluminum, powder coated RAL 7047 TEC.

For Black Spectra in RAL 9005 TEC

For projects – consult Umbrosa for powder coating finish options (RAL).

Contact us for the details on the MOQ.

PACKAGING & TRANSPORT

Spectra	L (cm)	W (cm)	H (cm)	Weight (kg)	L (ft)	W (ft)	H (ft)	Weight (lbs)
Umbrella box	273	36	33	32	8'11.5"	1'2.2"	1'1"	70
Base L STD	88.6	88.6	15	17.5 kg	2'10.9"	2'10.9"	5.9"	38.5
Base L STD package	90	90	16	18.5 kg	2'11.4"	2'11.4"	6.3"	40.7

NICE TO KNOW

- Spare parts available
- Designed and manufactured in Belgium
- Warranty between 10 and 2 years, please consult our warranty policy at www.umbrosa.com
- Download owner's manual (QR-code included), also available at www.umbrosa.com
- Storage bag included (PU coated fabric)
- Wind speeds up to 6 beaufort, 50 km/h, 31 mph when base is permanently fixed (for details, please check our wind spec sheet)
- Tested at TU Delft

SAFETY STATEMENTS & WARNINGS

- Product is suitable for light wind and/or light rain only.
- Position product in direction of wind as recommended in user manual.
- Do not use product in inclement weather, such as strong wind, thunderstorms, heavy rain or snow, and make sure that the umbrella is closed and stored in advance.
- Never allow the umbrella to flap in the wind. This could cause personal injury, damage to personal property, damage to umbrella and/or umbrella canopy.
- Close product and secure strap when not in use.
- Do not use product without its base or unless attached to building structure, and keep umbrella secured to umbrella base or mount at all times.
- Do not use product over or near harsh chemicals or open flames.
- Place product on stable and level surface.
- Do not allow children to assemble or operate product.
- Do not leave product unattended.
- Store product indoors during winter and extreme weather conditions.
- When adjusting or assembling the umbrella or umbrella base, make sure fingers, toes or any other parts of the body are clear from moving parts. Failing to do so may result in serious injury.
- Only use Umbrosa replacement parts.
- Read owner's manual.
- Any modifications to the product or failure to follow recommended care will void the warranty.
- Wind damage is not covered under our limited warranty.

The content of this document, in particular the mentioned models, is protected by copyrights and/or design rights. The present document and its content is communicated to you for information purposes only. Any partial or total reproduction or any other use without our prior written permission is strictly prohibited. This technical sheet remains subject to possible changes. Of course we do our best to eliminate all mistakes, but Umbrosa is not responsible for the errors in the documentation of products. All measurements are approximate and are provided for informational purposes only.

MODELS

FULL BLACK



Black

RAL9005
Black

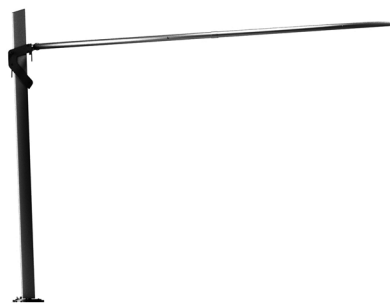
ARCHITECTURE



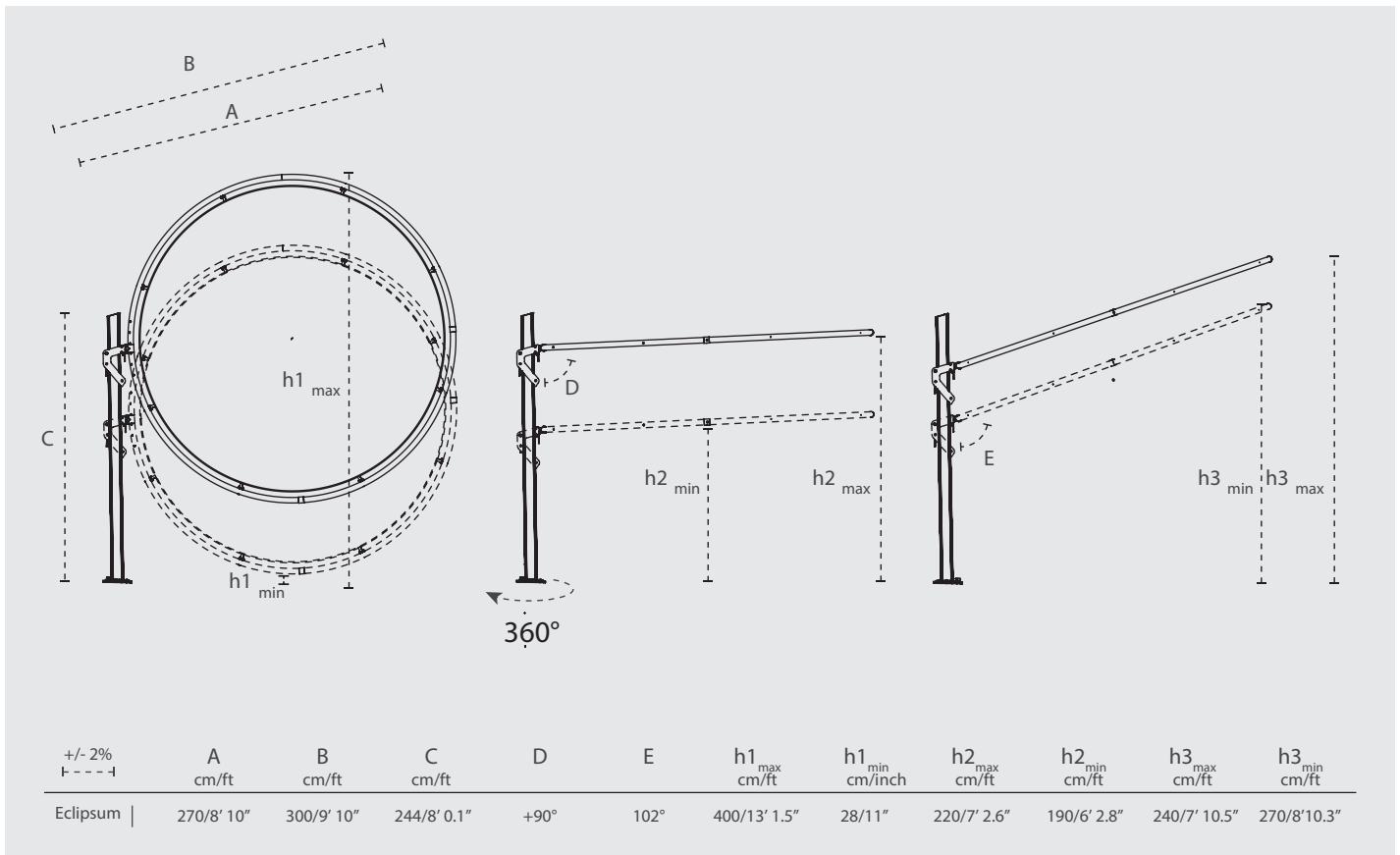
Marble

RAL 9018
Papyrus White

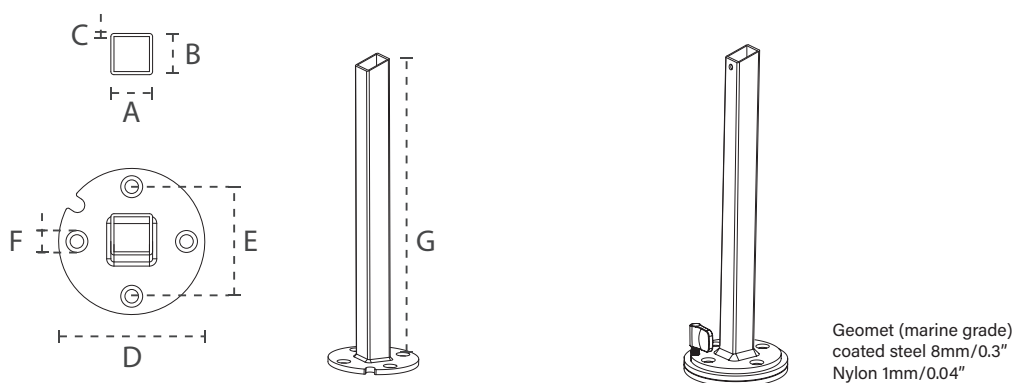
POSITIONS



DIMENSIONS



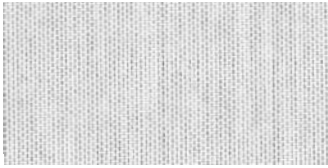
ROUND SUPPORT



	A mm/inch	B mm/inch	C mm/inch	D mm/inch	E mm/inch	F mm/inch	G mm/inch
Round support	40/1.57"	40/1.57"	3/0.12"	140/5.5"	105/4.1"	11/0.43"	490/17.3"

For non-permanent base options - see spec sheet Installation Options

MATERIALS



FABRIC

Colorum – 100% Acryl 260 gr/m²
More details – see spec sheet Fabrics



RIBS

Glass fiber Ø 6mm/0.23"



POLE

Aluminum powder coated RAL 9005
Black or RAL 9018
Papyrus White

OTHER MATERIALS

Handle: stainless steel plate 136 (6mm/0.23")
powder coated RAL 9005 TEC
Hooks: powder coated RAL 9005 TEC
Ring fixation: powder coated RAL 9005 TEC

For projects – consult Umbrosa for powder coating finish options (RAL).
Contact us for the details on the MOQ.

PACKAGING & TRANSPORT

Eclisum UX	L (cm)	W (cm)	H (cm)	Weight (kg)	L (")	W (")	H (")	Weight (lbs)
Umbrella box	247	53	39	50	8'1.2"	1'8.9"	1'3.4"	121
Base L UX	88.8	88.8	15	32 kg	2'11"	2'11"	5.9"	70.4
Base L UX package	90	90	16	33 kg	2'11.4"	2'11.4"	6.3"	72.6

NICE TO KNOW

- Spare parts available
- Designed and manufactured in Belgium
- Warranty between 10 and 2 years, please consult our warranty policy at www.umbrosa.com
- Download owner's manual (QR-code included), also available at www.umbrosa.com
- Storage bag included (PU coated fabric)
- Wind speeds up to 5 beaufort, 30 km/h, 18 mph when base is permanently fixed
- Tested at TU Delft

SAFETY STATEMENTS & WARNINGS

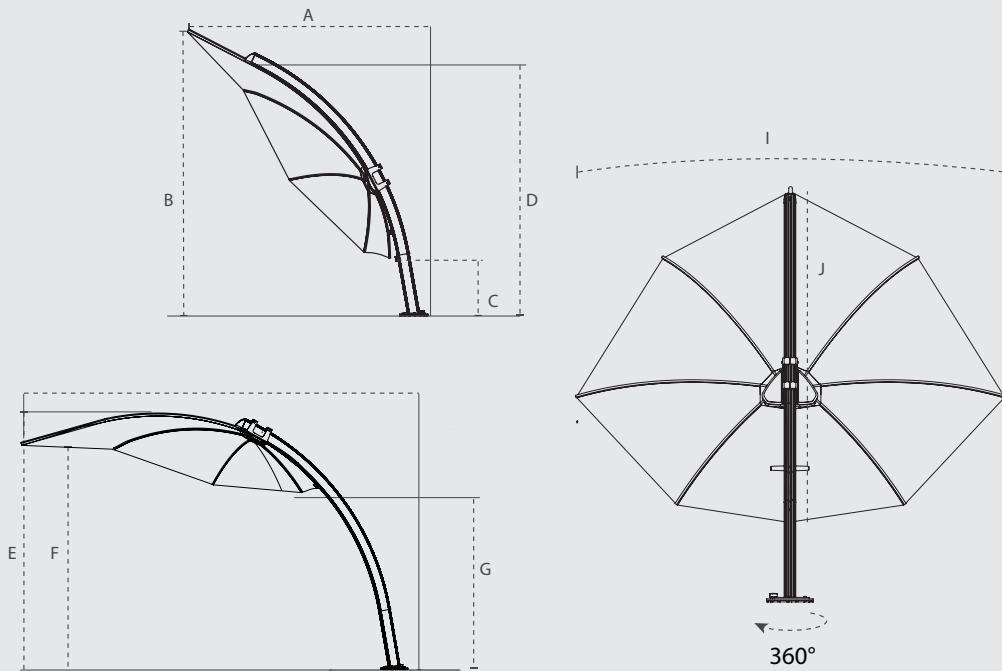
- Product is suitable for light wind and/or light rain only.
- Position product in direction of wind as recommended in user manual.
- Do not use product in inclement weather, such as strong wind, thunderstorms, heavy rain or snow, and make sure that the umbrella is closed and stored in advance.
- Never allow the umbrella to flap in the wind. This could cause personal injury, damage to personal property, damage to umbrella and/or umbrella canopy.
- Close product and secure strap when not in use.
- Do not use product without its base or unless attached to building structure, and keep umbrella secured to umbrella base or mount at all times.
- Do not use product over or near harsh chemicals or open flames.
- Place product on stable and level surface.
- Do not allow children to assemble or operate product.
- Do not leave product unattended.
- Store product indoors during winter and extreme weather conditions.
- When adjusting or assembling the umbrella or umbrella base, make sure fingers, toes or any other parts of the body are clear from moving parts. Failing to do so may result in serious injury.
- Only use Umbrosa replacement parts.
- Read owner's manual.
- Any modifications to the product or failure to follow recommended care will void the warranty.
- Wind damage is not covered under our limited warranty.

MODEL

ICARUS UX SAND

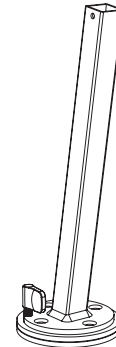
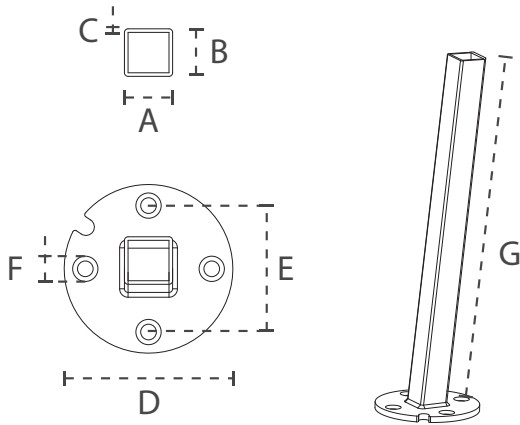


DIMENSIONS



	A	B	C	D	E	F	G	H	I	J
	cm/ft	cm/ft	cm/ft	cm/ft	cm/ft	cm/ft	cm/ft	cm/ft	cm/ft	cm/ft
Icarus	255/8' 4.4"	260/8' 6.4"	44/1' 5.3"	240/7' 10.5"	260/8' 6.4"	250/8' 2.4"	150/4' 11"	380/4' 5.6"	300/9' 10"	300/9' 10"

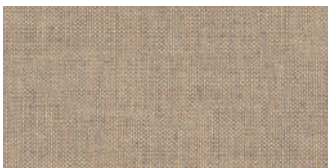
ROUND SUPPORT



Geomet (marine grade)
coated steel 8mm/0.3"
Nylon 1mm/0.04"

	A	B	C	D	E	F	G
	mm/inch	mm/inch	mm/inch	mm/inch	mm/inch	mm/inch	mm/inch
Round support	40/1,57"	40/1,57"	3/0.12"	140/5.5"	105/4.1"	11/0.43"	490/17.3"

MATERIALS



FABRIC

Colorum - 100% Acryl 260 gr/m²
More details - see spec sheet Fabrics



RIBS

Glass fiber Ø 12mm/0.46"



POLE

Aluminum powder
coated RAL 1013
Limestone Beige



OTHER MATERIALS

Sliding blocks: nylon - self lubricating
Handle: stainless steel and aluminum powder
coated RAL 1013 TEC

For projects - consult Umbrosa for powder coating finish options (RAL).
Contact us for the details on the MOQ.

PACKAGING & TRANSPORT

ICARUS UX	L (cm)	W (cm)	H (cm)	Weight (kg)	L (ft)	W (inch)	H (inch)	Weight (lbs)
Umbrella box	307	63	31	35	10'0.9"	2'0.8"	1'0.2"	77
Base L UX Sand	88.8	88.8	16.5	32 kg	2'11"	2'11"	6.5"	70.4
Base L UX Sand package	90	90	18	33 kg	2'11.4"	2'11.4"	7.1"	72.6

NICE TO KNOW

- Spare parts available
- Designed and manufactured in Belgium
- Warranty between 10 and 2 years, please consult our warranty policy at www.umbrosa.com
- Download owner's manual (QR-code included), also available at www.umbrosa.com
- Storage bag included (Colorum Flanelle)
- Wind speeds up to 5 beaufort, 30 km/h, 18 mph when base is permanently fixed
- Tested at TU Delft

SAFETY STATEMENTS & WARNINGS

- Product is suitable for light wind and/or light rain only.
- Position product in direction of wind as recommended in user manual.
- Do not use product in inclement weather, such as strong wind, thunderstorms, heavy rain or snow, and make sure that the umbrella is closed and stored in advance.
- Never allow the umbrella to flap in the wind. This could cause personal injury, damage to personal property, damage to umbrella and/or umbrella canopy.
- Close product and secure strap when not in use.
- Do not use product without its base or unless attached to building structure, and keep umbrella secured to umbrella base or mount at all times.
- Do not use product over or near harsh chemicals or open flames.
- Place product on stable and level surface.
- Do not allow children to assemble or operate product.
- Do not leave product unattended.
- Store product indoors during winter and extreme weather conditions.
- When adjusting or assembling the umbrella or umbrella base, make sure fingers, toes or any other parts of the body are clear from moving parts. Failing to do so may result in serious injury.
- Only use Umbrosa replacement parts.
- Read owner's manual.
- Any modifications to the product or failure to follow recommended care will void the warranty.
- Wind damage is not covered under our limited warranty.

The content of this document, in particular the mentioned models, is protected by copyrights and/or design rights. The present document and its content is communicated to you for information purposes only. Any partial or total reproduction or any other use without our prior written permission is strictly prohibited. This technical sheet remains subject to possible changes. Of course we do our best to eliminate all mistakes, but Umbrosa is not responsible for the errors in the documentation of products. All measurements are approximate and are provided for informational purposes only.

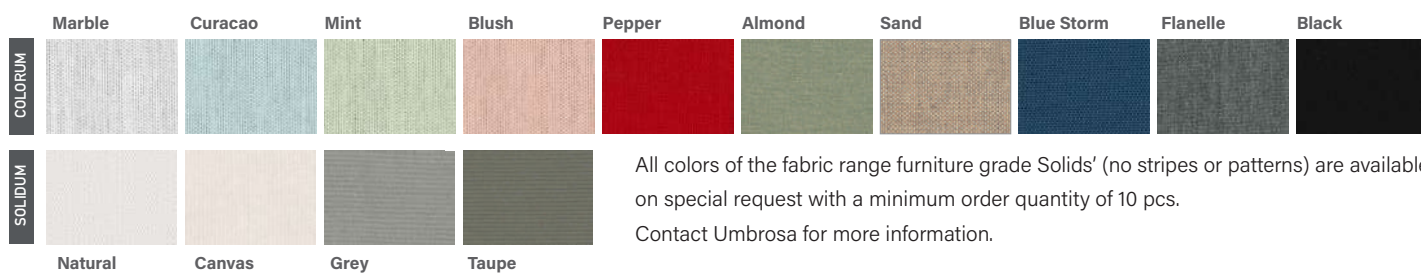
MODEL



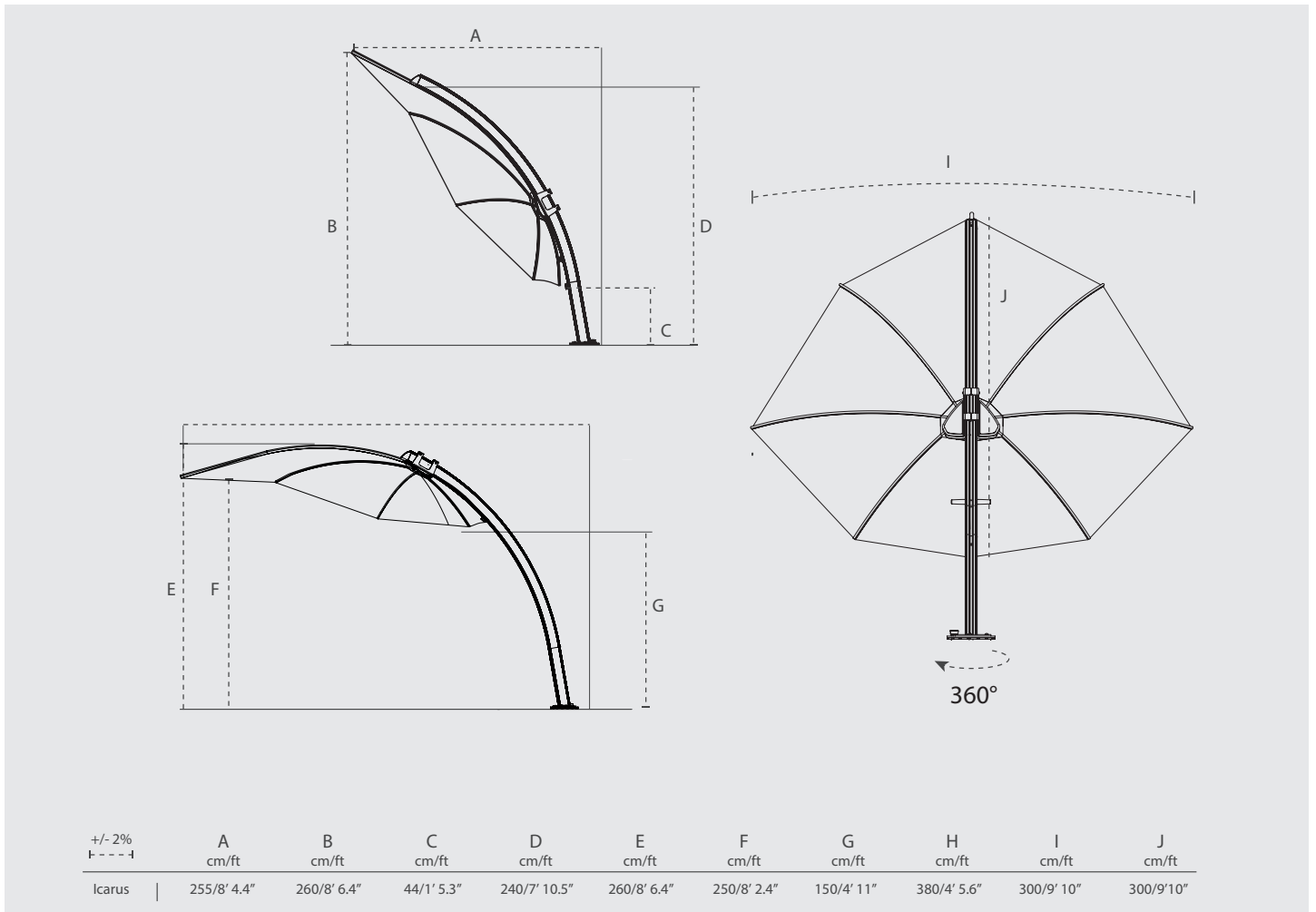
POSITIONS



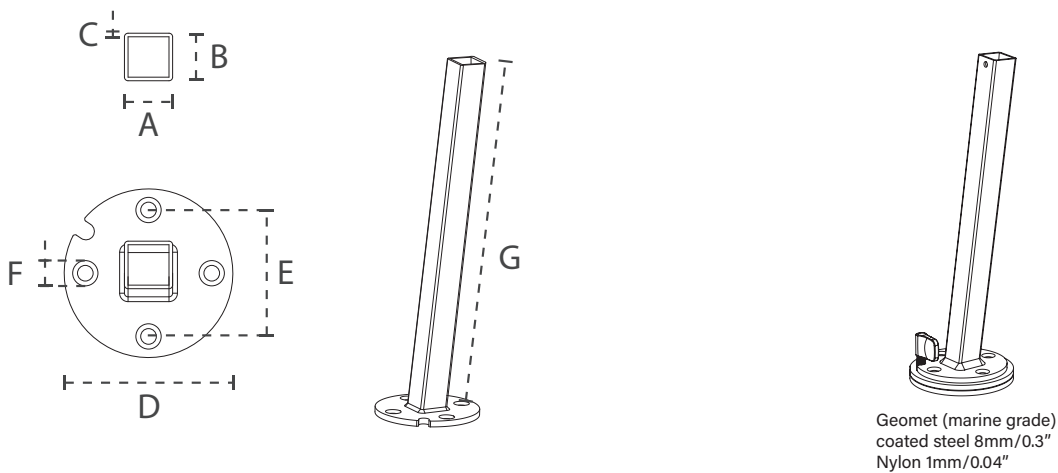
COLORS



DIMENSIONS

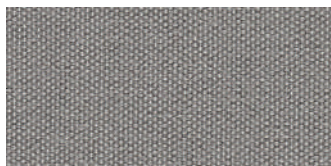


ROUND SUPPORT



	A	B	C	D	E	F	G
	mm/inch	mm/inch	mm/inch	mm/inch	mm/inch	mm/inch	mm/inch
Round support	40/1,57"	40/1,57"	3/0.12"	140/5.5"	105/4.1"	11/0.43"	490/17.3"

MATERIALS



FABRIC

Solidum – 100% Acryl 255 gr/m²

Colorum – 100% Acryl 260 gr/m²

More details – see spec sheet Fabrics



RIBS

Glass fiber Ø 12mm/0.46"



POLE

Powder coated
aluminum



OTHER MATERIALS

Wheels: nylon – self lubricating.

Handle: stainless steel

For projects – consult Umbrosa for powder coating finish options (RAL).

Contact us for the details on the MOQ.

PACKAGING & TRANSPORT

Icarus	L (cm)	W (cm)	H (cm)	Weight (kg)	L (")	W (")	H (")	Weight (lbs)
Umbrella box	307	63	31	35	10'0.9"	2' 0.8"	1' 0.2"	77
Base L STD	88.6	88.6	15	17.5 kg	2"10.9"	2"10.9"	5.9"	38.5
Base L STD package	90	90	16	18.5 kg	2"11.4"	2"11.4"	6.3"	40.7

NICE TO KNOW

- Spare parts available
- Designed and manufactured in Belgium
- Warranty between 10 and 2 years, please consult our warranty policy at www.umbrosa.com
- Download owner's manual (QR-code included), also available at www.umbrosa.com
- Storage bag included (PU coated fabric)
- Wind speeds up to 5 beaufort, 30 km/h, 18 mph when base is permanently fixed
- Tested at TU Delft

SAFETY STATEMENTS & WARNINGS

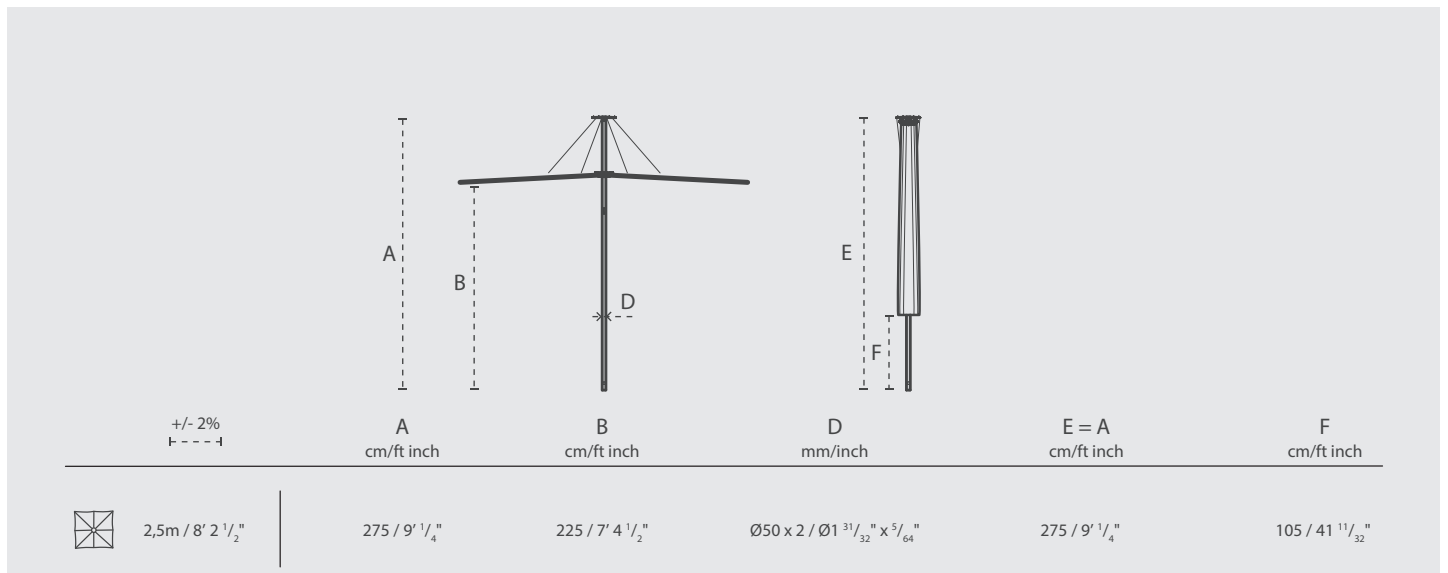
- Product is suitable for light wind and/or light rain only.
- Position product in direction of wind as recommended in user manual.
- Do not use product in inclement weather, such as strong wind, thunderstorms, heavy rain or snow, and make sure that the umbrella is closed and stored in advance.
- Never allow the umbrella to flap in the wind. This could cause personal injury, damage to personal property, damage to umbrella and/or umbrella canopy.
- Close product and secure strap when not in use.
- Do not use product without its base or unless attached to building structure, and keep umbrella secured to umbrella base or mount at all times.
- Do not use product over or near harsh chemicals or open flames.
- Place product on stable and level surface.
- Do not allow children to assemble or operate product.
- Do not leave product unattended.
- Store product indoors during winter and extreme weather conditions.
- When adjusting or assembling the umbrella or umbrella base, make sure fingers, toes or any other parts of the body are clear from moving parts. Failing to do so may result in serious injury.
- Only use Umbrosa replacement parts.
- Read owner's manual.
- Any modifications to the product or failure to follow recommended care will void the warranty.
- Wind damage is not covered under our limited warranty.

MODEL

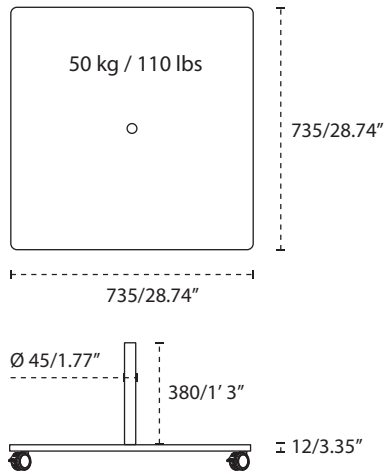
INFINA UX SAND



DIMENSIONS



DIMENSIONS BASE (MM/INCH)



MATERIALS



FABRIC
 Colorum - 100% Acryl 260 gr/m²
 More details - see spec sheet Fabrics



RIBS AND HUB
 Aluminum ribs, powder coated
 Stainless steel 316 hub, polished



POLE
 Aluminum Ø50 mm / 1.97"
 powder coated RAL 9005 Black and
 RAL 1013 Limestone Beige



BASE
 Galvanised steel, powder coated
 RAL 1013 Limestone Beige

PACKAGING & TRANSPORT

Infina	L (cm)	W (cm)	H (cm)	Weight (kg)	L (inch)	W (inch)	H (inch)	Weight (lbs)
Umbrella box	280	26	26	11	110.23"	10.2"	10.2"	24.2
Flatbase	73	73	1.2	50 kg	28.74"	28.74"	3.35"	110
Flatbase package	84	80	7	51 kg	33.1"	31.5"	2.76"	12.2

NICE TO KNOW

- Spare parts available
- Designed and manufactured in Belgium
- Warranty between 10 and 2 years, please consult our warranty policy at www.umbrosa.com
- Download owner's manual (QR-code included), also available at www.umbrosa.com
- Storage bag included (PU coated fabric)
- Wind speeds up to 6 beaufort, 50 km/h, 31 mph when base is permanently fixed (for details, please check our wind spec sheet)
- Tested at TU Delft

SAFETY STATEMENTS & WARNINGS

- Product is suitable for light wind and/or light rain only.
- Position product in direction of wind as recommended in user manual.
- Do not use product in inclement weather, such as strong wind, thunderstorms, heavy rain or snow, and make sure that the umbrella is closed and stored in advance.
- Never allow the umbrella to flap in the wind. This could cause personal injury, damage to personal property, damage to umbrella and/or umbrella canopy.
- Close product and secure strap when not in use.
- Do not use product without its base or unless attached to building structure, and keep umbrella secured to umbrella base or mount at all times.
- Do not use product over or near harsh chemicals or open flames.
- Place product on stable and level surface.
- Do not allow children to assemble or operate product.
- Do not leave product unattended.
- Store product indoors during winter and extreme weather conditions.
- When adjusting or assembling the umbrella or umbrella base, make sure fingers, toes or any other parts of the body are clear from moving parts. Failing to do so may result in serious injury.
- Only use Umbrosa replacement parts.
- Read owner's manual.
- Any modifications to the product or failure to follow recommended care will void the warranty.
- Wind damage is not covered under our limited warranty.

MODELS



Round



Square

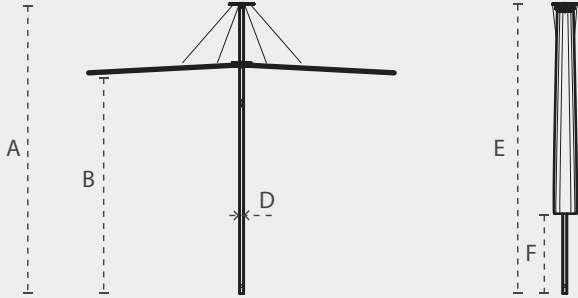
POSITIONS



COLORS

	Marble	Curacao	Mint	Blush	Pepper	Almond	Sand	Blue Storm	Flanelle	Black
COLORUM										
SOLIDUM					<p>All colors of the fabric range furniture grade Solids' (no stripes or patterns) are available on special request with a minimum order quantity of 10 pcs. Contact Umbrosa for more information.</p>					
	Natural	Canvas	Grey	Taupe						

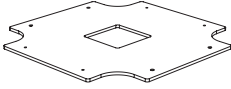
DIMENSIONS



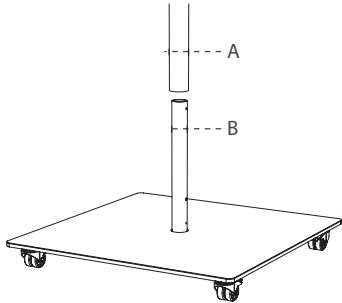
+/- 2% T - - - - T		A cm/ft	B cm/ft	D mm/inch	E = A cm/ft	F cm/ft
	3m/9' 10"	275/9'	225/7' 5"	Ø50x2 / Ø2"x0.1"	275/9'	117/3' 10"
	3m/9' 10"	275/9'	225/7' 5"	Ø50x2 / Ø2"x0.1"	275/9'	55/1' 9.7"

DIMENSIONS FOR BASE AND ROUND SUPPORT

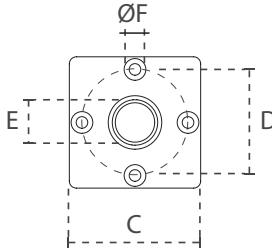
Extra weight plate
Infina base



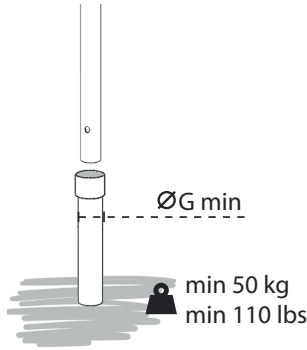
Base



Fixed spigot for
ground mounting



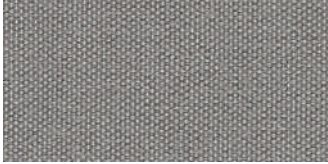
Requirements for other bases



60 x 60 cm - 23.6" x 23.6" - 20 kg - 44 lbs
galvanized
(compulsory for 9'10" x 9'10" square)
For non-permanent base options -
see spec sheet Installation Options

	A mm/inch	B mm/inch	C mm/inch	D mm/inch	E mm/inch	F mm/inch	G mm/inch
spigot and pole dimensions	50/2"	45/1.8"	215/8.5"	170/6.7"	45/1.8"	11/0.43"	52/2.1"

MATERIALS



FABRIC

Solidum – 100% Acryl 250 gr/m²
 Colorum – 100% Acryl 260 gr/m²
 More details – see spec sheet Fabrics
 Confection Scheme:



3m RO



3m SQ Colorum



RIBS

Naturally anodized aluminum



POLE

Naturally anodized aluminum or powder coated RAL 9005 (Black)



OTHER MATERIALS

Cables : stainless steel Ø 2mm
 Top plate : aluminum powder coated RAL 7047 TEC (Grey) or RAL 9005 TEC (Black)
 Hub: marine grade stainless steel (316)
 Rope: Ø 5mm

For projects – consult Umbrosa for powder coating finish options (RAL).
 Contact us for the details on the MOQ.

PACKAGING & TRANSPORT

Infina	L (cm)	W (cm)	H (cm)	Weight (kg)	L (ft)	W (inch)	H (inch)	Weight (lbs)
Umbrella box	280	26	26	11	9'2.2"	10.2"	10.2"	24.2
Flatbase	73	73	1.2	50 kg	2'4.7"	2'4.7"	0.5"	110
Medium base	88.6	88.6	10	17 kg	2'10.9"	2'10.9"	3.9"	37.4
Flatbase package	84	80	7	51 kg	2'9.1"	2'7.5"	2.8"	112.2
Medium base package	90	90	11	18 kg	2'11.4"	2'11.4"	4.3"	39.6

NICE TO KNOW

- Spare parts available
- Designed and manufactured in Belgium
- Warranty between 10 and 2 years, please consult our warranty policy at www.umbrosa.com
- Download owner's manual (QR-code included), also available at www.umbrosa.com
- Storage bag included (PU coated fabric)
- Wind speeds up to 6 beaufort, 50 km/h, 31 mph when base is permanently fixed (for details, please check our wind spec sheet)
- Tested at TU Delft

SAFETY STATEMENTS & WARNINGS

- Product is suitable for light wind and/or light rain only.
- Position product in direction of wind as recommended in user manual.
- Do not use product in inclement weather, such as strong wind, thunderstorms, heavy rain or snow, and make sure that the umbrella is closed and stored in advance.
- Never allow the umbrella to flap in the wind. This could cause personal injury, damage to personal property, damage to umbrella and/or umbrella canopy.
- Close product and secure strap when not in use.
- Do not use product without its base or unless attached to building structure, and keep umbrella secured to umbrella base or mount at all times.
- Do not use product over or near harsh chemicals or open flames.
- Place product on stable and level surface.
- Do not allow children to assemble or operate product.
- Do not leave product unattended.
- Store product indoors during winter and extreme weather conditions.
- When adjusting or assembling the umbrella or umbrella base, make sure fingers, toes or any other parts of the body are clear from moving parts. Failing to do so may result in serious injury.
- Only use Umbrosa replacement parts.
- Read owner's manual.
- Any modifications to the product or failure to follow recommended care will void the warranty.
- Wind damage is not covered under our limited warranty.

The content of this document, in particular the mentioned models, is protected by copyrights and/or design rights. The present document and its content is communicated to you for information purposes only. Any partial or total reproduction or any other use without our prior written permission is strictly prohibited. This technical sheet remains subject to possible changes. Of course we do our best to eliminate all mistakes, but Umbrosa is not responsible for the errors in the documentation of products. All measurements are approximate and are provided for informational purposes only.

MODELS



WALL



MONO



DUO



MULTI

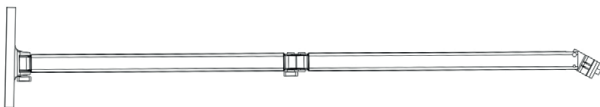
VERSIONS

Paraflex Neo holder

Contemporary – SQ 230 / R 300 / SQ 190 / R 270



200 (6'7")



Paraflex classic holder*



185 (6')



*MOQ only

POSITIONS

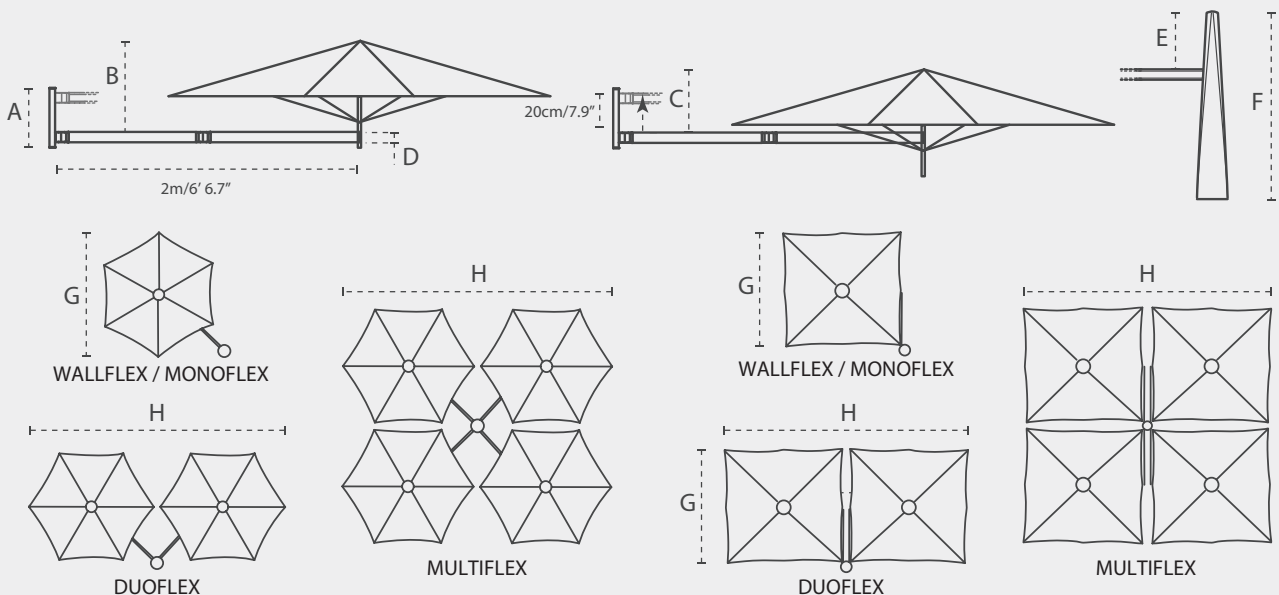


COLORS

	Marble	Curacao	Mint	Blush	Pepper	Almond	Sand	Blue Storm	Flanelle	Black
COLORUM										
SOLIDUM										
	Natural	Canvas	Grey	Taupe	<p>All colors of the fabric range furniture grade Solids' (no stripes or patterns) are available on special request with a minimum order quantity of 10 pcs. Contact Umbrosa for more information.</p>					

DIMENSIONS

NEO



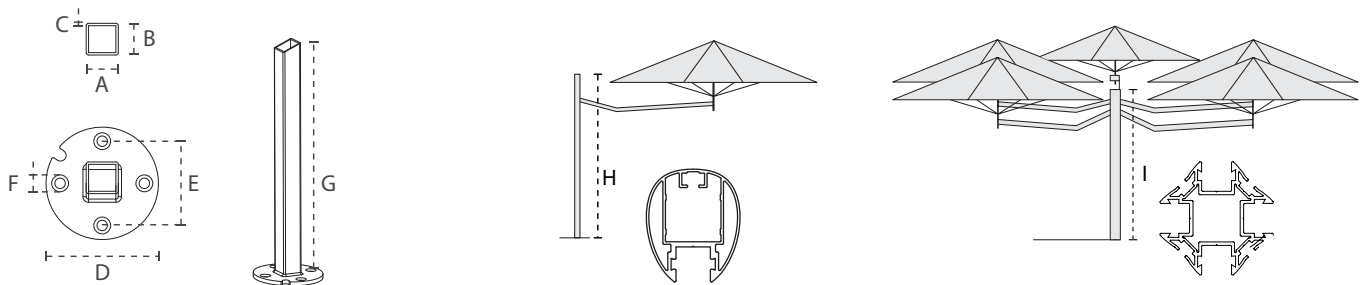
	+/- 2% T-----T	A cm/inch	B cm/ft	C cm/ft	D cm/inch	E cm/ft	F cm/ft	G cm/ft	H cm/ft
	2.7m/8' 10"	34/13.4"	70/2' 3.5"	45/1' 6"	6/2.4"	45/1' 6"	135/4' 5"	270/8' 10"	540/17' 9"
	3m/9' 10"	34/13.4"	70/2' 3.5"	45/1' 6"	6/2.4"	45/1' 6"	150/4' 11"	300/9' 10"	600/19' 8"
	1.9m/6' 3"	34/13.4"	70/2' 3.5"	45/1' 6"	6/2.4"	45/1' 6"	190/6' 3"	380/12' 6"	
	2.3m/7' 6.6"	34/13.4"	70/2' 3.5"	45/1' 6"	6/2.4"	45/1' 6"	163/5' 4"	230/7' 7"	460/15' 1"

ROUND SUPPORT AND POLE OPTIONS

ROUND SUPPORT

SINGLE POLE

MULTI POLE

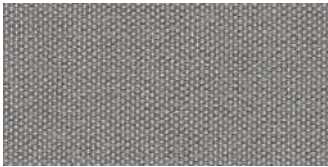


Material: Galvanised steel 8mm/0.3"

	A mm/inch	B mm/inch	C mm/inch	D mm/inch	E mm/inch	F mm/inch	G mm/inch	H cm/ft	I cm/ft
Round support	40/1.6"	40/1.6"	3/0.12"	140/5.5"	105/4.1"	11/0.43"	490/19"	220/7'3"	230/7'6"

For non-permanent base options – see spec sheet Installation Options

MATERIALS



FABRIC

Solidum – 100% Acryl 250 gr/m²
 Colorum – 100% Acryl 260 gr/m²
 More details – see spec sheet Fabrics



RIBS

Naturally anodized aluminum profiles



POLE

Naturally anodized aluminum

OTHER MATERIALS

Grip: PA6 30% Glass fiber
 Gear plates of stainless steel
 Umbrella parts: PA6
 Hinges: marine grade, stainless steel (316)

For projects – consult Umbrosa for powder coating finish options (RAL).
 Contact us for the details on the MOQ.

PACKAGING & TRANSPORT

PARAFLEX	L (cm)	W (cm)	H (cm)	Weight (kg)	L (ft)	W (ft)	H (ft)	Weight (lbs)
Box Neo holder 2m/6'6.7"	108	16	18	5.31 kg	3'6.5"	6.3"	7.1"	11.71
Box single pole 2,2m/7'3"	228	10	10	5.81 kg	7'5.8"	3.9"	3.9"	12.81
Box multi pole 2,3m/7'6"	235	13	13	9 kg	7'8"1/2	5.1"	5.1"	19.84
Umbrella	max. 190	16	16	2.62-4.06kg	Max 5'10.9"	6.3"	6.3"	5.78-8.95
Base L STD package	90	90	16	18.5 kg	2'11.4"	2'11.4"	6.3"	40.7
Base M package	90	90	11	18 kg	2'11.4"	2'11.4"	4.3"	39.6

NICE TO KNOW

- Spare parts available
- Designed and manufactured in Belgium
- Warranty between 10 and 2 years, please consult our warranty policy at www.umbrosa.com
- Download owner's manual (QR-code included), also available at www.umbrosa.com
- Storage bag optional (PU coated fabric)
- Wind speeds up to 6 beaufort, 50 km/h, 31 mph when base is permanently fixed (for details, please check our wind spec sheet)
- Tested at TU Delft

SAFETY STATEMENTS & WARNINGS

- Product is suitable for light wind and/or light rain only.
- Position product in direction of wind as recommended in user manual.
- Do not use product in inclement weather, such as strong wind, thunderstorms, heavy rain or snow, and make sure that the umbrella is closed and stored in advance.
- Never allow the umbrella to flap in the wind. This could cause personal injury, damage to personal property, damage to umbrella and/or umbrella canopy.
- Close product and secure strap when not in use.
- Do not use product without its base or unless attached to building structure, and keep umbrella secured to umbrella base or mount at all times.
- Do not use product over or near harsh chemicals or open flames.
- Place product on stable and level surface.
- Do not allow children to assemble or operate product.
- Do not leave product unattended.
- Store product indoors during winter and extreme weather conditions.
- When adjusting or assembling the umbrella or umbrella base, make sure fingers, toes or any other parts of the body are clear from moving parts. Failing to do so may result in serious injury.
- Only use Umbrosa replacement parts.
- Read owner's manual.
- Any modifications to the product or failure to follow recommended care will void the warranty.
- Wind damage is not covered under our limited warranty.

The content of this document, in particular the mentioned models, is protected by copyrights and/or design rights. The present document and its content is communicated to you for information purposes only. Any partial or total reproduction or any other use without our prior written permission is strictly prohibited. This technical sheet remains subject to possible changes. Of course we do our best to eliminate all mistakes, but Umbrosa is not responsible for the errors in the documentation of products. All measurements are approximate and are provided for informational purposes only.

MODEL

FULL BLACK

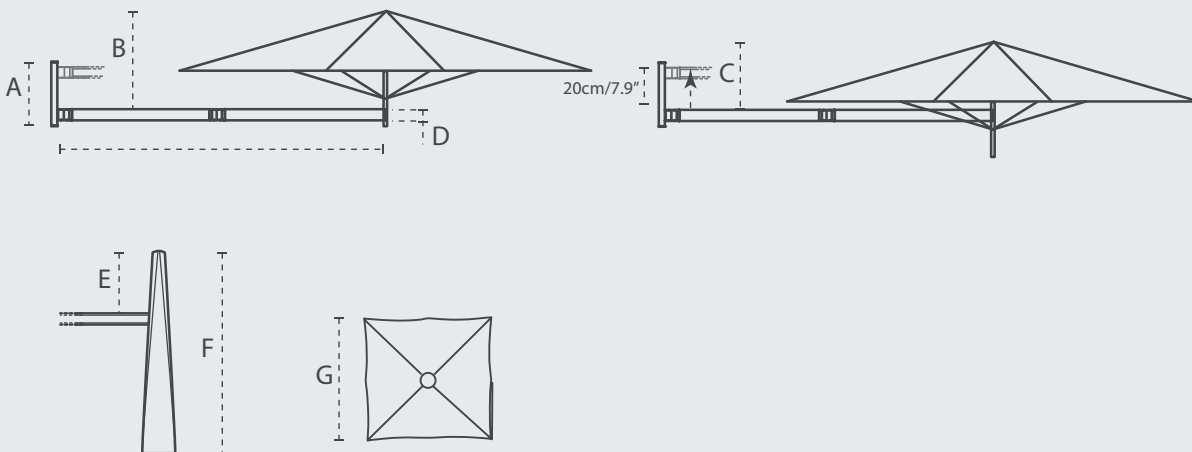


Black

RAL9005
Black

DIMENSIONS

PARAFLEX UX



+/- 2%
± 1

A
cm/inch

B
cm/ft

C
cm/ft

D
cm/inch

E
cm/ft

F
cm/ft

G
cm/ft



2,3m/7' 6.6"

34/13.4"

70/2' 3.5"

45/1' 6"

6/2.4"

45/1' 6"

163/5' 4"

230/7' 7"

MATERIALS



FABRIC

Colorum – 100% Acryl 260 gr/m²

More details – see spec sheet

Fabrics



RIBS

Aluminum, powder coated

RAL 9005



ARM AND WALL PROFILE

Aluminum, powder coated RAL 9005



HINGES

Black Anodised Aluminum

Stainless steel 316, polished

PACKAGING & TRANSPORT

PARAFLEX UX	L (cm)	W (cm)	H (cm)	Weight (kg)	L (ft)	W (inch)	H (inch)	Weight (lbs)
Paraflex UX Holder	180	16	16	5	5'10.9"	6.3"	6.3"	11
Umbrella	180	16	16	4,06	5'10.9"	6.3"	6.3"	8,9

NICE TO KNOW

- Spare parts available
- Designed and manufactured in Belgium
- Warranty between 10 and 2 years, please consult our warranty policy at www.umbrosa.com
- Download owner's manual (QR-code included), also available at www.umbrosa.com
- Storage bag included (Colorum Flanelle)
- Wind speeds up to 5 beaufort, 30 km/h, 18 mph when base is permanently fixed
- Tested at TU Delft

SAFETY STATEMENTS & WARNINGS

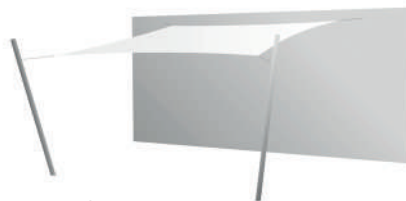
- Product is suitable for light wind and/or light rain only.
- Position product in direction of wind as recommended in user manual.
- Do not use product in inclement weather, such as strong wind, thunderstorms, heavy rain or snow, and make sure that the umbrella is closed and stored in advance.
- Never allow the umbrella to flap in the wind. This could cause personal injury, damage to personal property, damage to umbrella and/or umbrella canopy.
- Close product and secure strap when not in use.
- Do not use product without its base or unless attached to building structure, and keep umbrella secured to umbrella base or mount at all times.
- Do not use product over or near harsh chemicals or open flames.
- Place product on stable and level surface.
- Do not allow children to assemble or operate product.
- Do not leave product unattended.
- Store product indoors during winter and extreme weather conditions.
- When adjusting or assembling the umbrella or umbrella base, make sure fingers, toes or any other parts of the body are clear from moving parts. Failing to do so may result in serious injury.
- Only use Umbrosa replacement parts.
- Read owner's manual.
- Any modifications to the product or failure to follow recommended care will void the warranty.
- Wind damage is not covered under our limited warranty.

The content of this document, in particular the mentioned models, is protected by copyrights and/or design rights. The present document and its content is communicated to you for information purposes only. Any partial or total reproduction or any other use without our prior written permission is strictly prohibited. This technical sheet remains subject to possible changes. Of course we do our best to eliminate all mistakes, but Umbrosa is not responsible for the errors in the documentation of products. All measurements are approximate and are provided for informational purposes only.

MODELS



Triangle

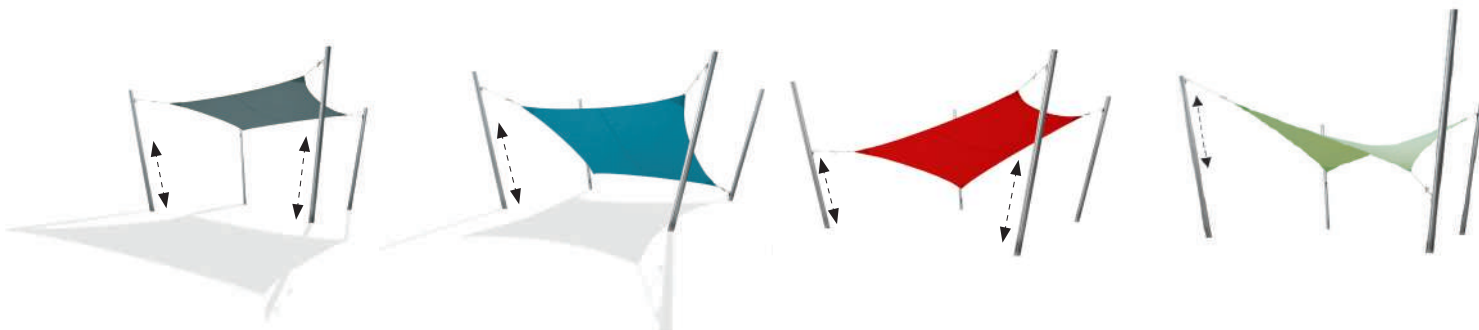


Square



Rectangle

POSITIONS

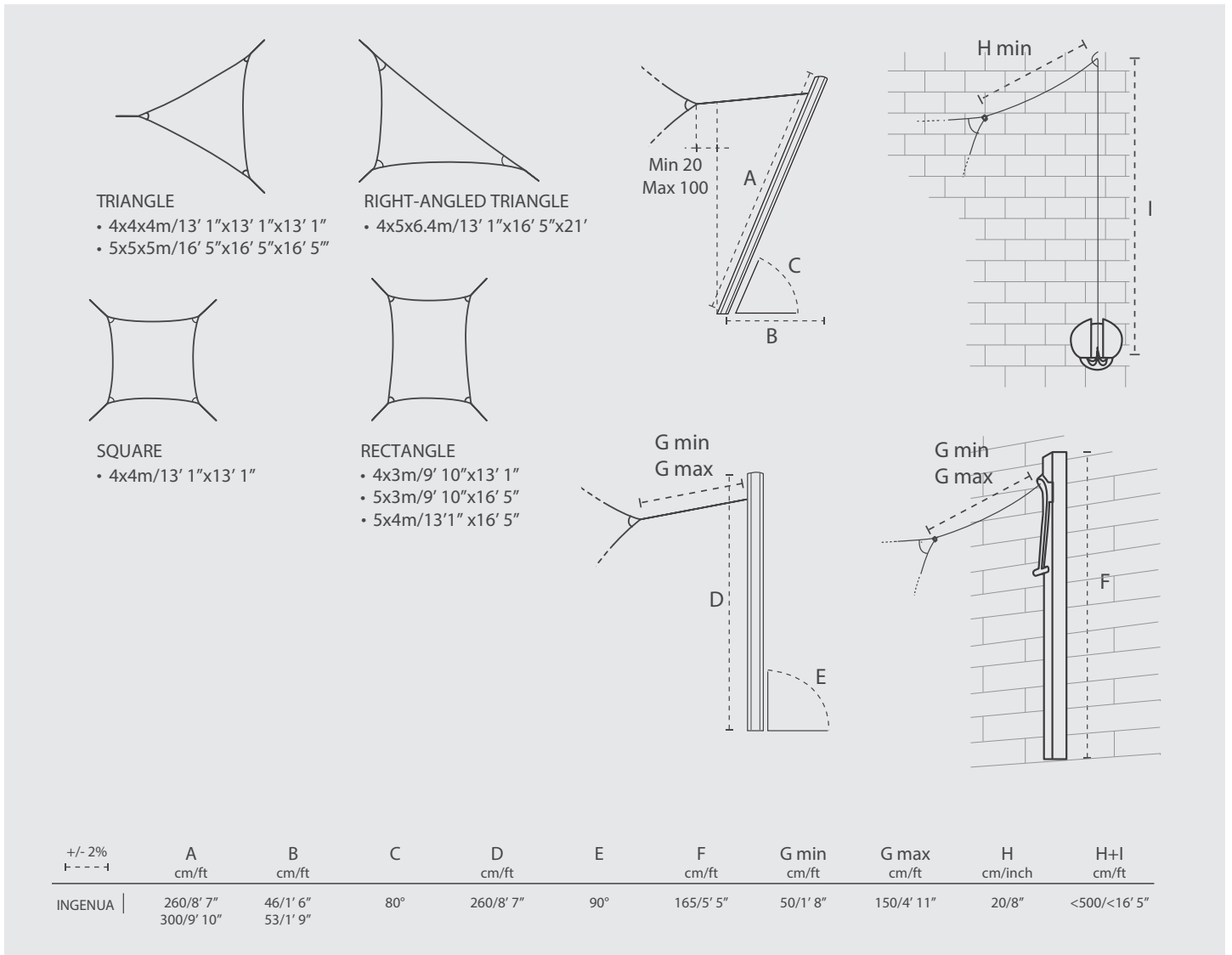


COLORS

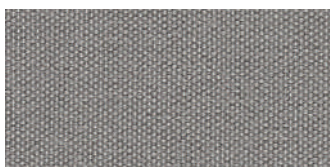
	Marble	Curacao	Mint	Blush	Pepper	Almond	Sand	Blue Storm	Flanelle	Black
COLORIUM										
SOLIDIUM										
	Natural	Canvas	Grey	Taupe						

All colors of the fabric range furniture grade Solids' (no stripes or patterns) are available on special request with a minimum order quantity of 10 pcs. Contact Umbrosa for more information.

DIMENSIONS

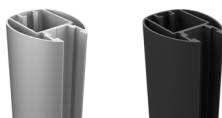


MATERIALS



FABRIC

Solidum - 100% Acryl 250 gr/m²
 Colorum - 100% Acryl 260 gr/m²
 More details - see spec sheet Fabrics



POLE

Naturally anodized aluminum
 Black - RAL 9005 TEC



OTHER MATERIALS

Carabiner: stainless steel 316 (marine grade)
 Handle: stainless steel 316 (casted & polished)
 Rope: Ø 6mm/0,24"

For projects - consult Umbrosa for powder coating finish options (RAL).
 Contact us for the details on the MOQ.

PACKAGING & TRANSPORT

Ingenua	L (cm)	W (cm)	H (cm)	Weight (kg)	L (ft)	W (inch)	H (inch)	Weight (lbs)
Box pole	270	10	8,5	7,3	8'10.3"	3.9"	3.9"	16
Bag Sail	45	55	16	2,23 - 5,26	1'5.7"	1'9.7"	6.3"	5-11

NICE TO KNOW

- Spare parts available
- Designed and manufactured in Belgium
- Warranty between 10 and 2 years, please consult our warranty policy at www.umbrosa.com
- Download owner's manual (QR-code included), also available at www.umbrosa.com
- Storage bag included (PU coated fabric)
- Wind speeds up to 6 beaufort, 50 km/h, 31 mph when base is permanently fixed (for details, please check our wind spec sheet)
- Tested at TU Delft

SAFETY STATEMENTS & WARNINGS

- Product is suitable for light wind and/or light rain only.
- Position product in direction of wind as recommended in user manual.
- Do not use product in inclement weather, such as strong wind, thunderstorms, heavy rain or snow, and make sure that the umbrella is closed and stored in advance.
- Never allow the umbrella to flap in the wind. This could cause personal injury, damage to personal property, damage to umbrella and/or umbrella canopy.
- Close product and secure strap when not in use.
- Do not use product without its base or unless attached to building structure, and keep umbrella secured to umbrella base or mount at all times.
- Do not use product over or near harsh chemicals or open flames.
- Place product on stable and level surface.
- Do not allow children to assemble or operate product.
- Do not leave product unattended.
- Store product indoors during winter and extreme weather conditions.
- When adjusting or assembling the umbrella or umbrella base, make sure fingers, toes or any other parts of the body are clear from moving parts. Failing to do so may result in serious injury.
- Only use Umbrosa replacement parts.
- Read owner's manual.
- Any modifications to the product or failure to follow recommended care will void the warranty.
- Wind damage is not covered under our limited warranty.

MOUNTING OPTIONS PARASOL COLLECTIONS

FIXATION ON HARD GROUND

Round support to install the pole on a hard ground (concrete - wood) or on an Umbrosa base. For all collections except Ingenua.

ROUND SUPPORT MONO PARASOLS

Paraflex Mono

ROUNDSUPPORTTYPE1



Infina | Nano UX

ROUNDSUPPORTTYPE2



Spectra 90° | Eclisum UX

ROTATIONSUPPORT-90
(support + rotation disc)



Spectra 80°Versa UX | Icarus (UX)

ROTATIONSUPPORT-80
(support + rotation disc)



	LxWxH cm	LxWxH ft	Weight kg/lbs	LxWxH cm packaging	LxWxH ft packaging	Weight kg/lbs packaging
ROUNDSUPPORTTYPE1	14x14x49	5.51"x5.51"x19.29"	2,5 / 5.5	50x22x22	19.69"x8.66"x8.66"	2,8 / 6.1
ROUNDSUPPORTTYPE2	13x13x41	5.12"x5.12"x16.14"	1,8 / 3.9	50x22x22	19.69"x8.66"x8.66"	2,8 / 6.1
ROTATIONSUPPORT-90	16x16x54	6.3"x6.3"x21.26"	5,3 / 11.6	50x22x22	19.69"x8.66"x8.66"	6,3 / 13.8
ROTATIONSUPPORT-80	16x16x54	6.3"x6.3"x21.26"	5,3 / 11.6	50x22x22	19.69"x8.66"x8.66"	6,3 / 13.8

Note: Rotational support to install the pole on a hard surface (wood-concrete) – notch in the surface is needed (see installation manual).
Alternatively you can order spacers from Umbrosa.

ROUND SUPPORT DUO, OPPOSITE AND MULTI PARASOLS

Spectra Duo

DUOROTATIONSUPPORT
(support + rotation disc)



Spectra Opposite

OPPROTATIONSUPPORT
(support + rotation disc)



Spectra Multi

MULTISUPPORT



Paraflex Duo & Multi

UM-ROUNDSUPPORT-90

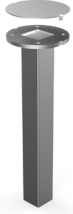


	LxWxH cm	LxWxH ft	Weight kg/lbs	LxWxH cm packaging	LxWxH ft packaging	Weight kg/lbs packaging
DUOROTATIONSUPPORT	18x17x49	7.87"x7.87"x19.29"	11/24.2	50x22x22	19.69"x8.66"x8.66"	12/26.4
OPPROTATIONSUPPORT	20x16x54	7.09"x6.69"x21.26"	11,2 / 24.6	50x22x22	19.69"x8.66"x8.66"	12,2 / 26.8
MULTISUPPORT	20x20x49	7.87"x6.3"x21.26"	7,8 / 17.1	50x22x22	19.69"x8.66"x8.66"	8,8 / 19.3
UM-ROUNDSUPPORT-90	21,5x21,5x49	8.46"x8.46"x19.29"	3,8 / 8.3	50x22x22	19.69"x8.66"x8.66"	4,8 / 10.5

FIXATION IN SOFT GROUND

Concrete anchorage to install the pole in a "soft" ground pouring concrete.
For all collections except Ingenua.

INGROUNDANCHORTYPE1



	LxWxH cm	LxWxH ft	Weight kg/lbs	LxWxH cm packaging	LxWxH ft packaging	Weight kg/lbs packaging
INGROUNDANCHORTYPE1	13x13x41	5.12"x5.12"x16.14"	2,4/5.3	50x22x22	19.69"x8.66"x8.66"	3,4/7.4

MEDIUM TILE BASE STANDARD

Paraflex Mono | Inфина

TILEBASE-M-ALU



Inфина Black | Nano UX Full Black

TILEBASE-M-BLACK



Nano UX Architecture

TILEBASE-M-ARCHI



	LxWxH cm	LxWxH ft	Weight kg/lbs	LxWxH cm packaging	LxWxH ft packaging	Weight kg/lbs packaging
TILEBASE-M-COLOUR	88,6x88,6x17,5	34.88"x34.88"x6.89"	17/37.4	90x90x11	35.43"x35.43"x4.33"	18/39.6

Wheelset included

Recommended weight for tiles : 118 kg or 259.6 lbs

Recommended tiles Europe – 40x40x4,5 cm // USA – 16"x16"x1.75"

You need 8 tiles for the Medium Tile base – see Manual.

LARGE TILE BASE STANDARD

Paraflex Duo & Multi

Spectra | Icarus

TILEBASESTD-L-ALU



Spectra

TILEBASESTD-L-BLACK



	LxWxH cm	LxWxH ft	Weight kg/lbs	LxWxH cm packaging	LxWxH ft packaging	Weight kg/lbs packaging
TILEBASESTD-L-COLOUR	88,6x88,6x22	34.88"x34.88"x8.66"	17,5/37.4	90x90x16	35.43"x35.43"x6.3"	18/39.6

Wheelset included

Recommended weight for tiles : 177 kg or 389.4 lbs

Recommended tiles Europe – 40x40x4,5 cm // USA – 16"x16"x1.75"

You need 12 tiles for the Large Tile base – see Manual.

LARGE TILE BASE UX

Versa UX Archi
Eclisum UX Archi
TILEBASEUX-L-ARCHI



Versa UX Full Black
EclisumUX Full Black
TILEBASEUX-L-BLACK



Versa UX Sand
Icarus UX Sand
TILEBASEUX-L-SAND



	LxWxH cm	LxWxH ft	Weight kg/lbs	LxWxH cm packaging	LxWxH ft packaging	Weight kg/lbs packaging
ARCHI/BLACK	88,8x88,8x22	34.96"x34.96"x8.66"	32/70.4	90x90x16	35.43"x35.43"x6.3"	33/72.6
SAND	88,8x88,8x24	34.96"x34.96"x9.45"	32/70.4	90x90x17	35.43"x35.43"x6.69"	33/72.6

Wheelset included

Recommended weight for tiles : 177 kg or 389.4 lbs

Recommended tiles Europe – 40x40x4,5 cm // USA – 16"x16"x1.75"

You need 12 tiles for the Large Tile Base UX – see manual.

MEDIUM FLAT BASE

Infina Alu
FLATBASE-M-ALU



Infina Black
FLATBASE-M-BLACK



Extra weight plate compulsory for Infina
3x3m umbrella (FIBASEEXTRA)

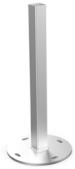
	LxWxH cm	LxWxH ft	Weight kg/lbs	LxWxH cm packaging	LxWxH ft packaging	Weight kg/lbs packaging
BASE	73x73x8,5	28.74"x28.74"x3.35"	50/110	84x80x7	33.07"x33.07"x2.76"	51/112.2
Extra Weight	60x60x0,9	23.62"x23.62"x0.35"	20,5 / 45.1	62x62x1,1	24.41"x24.41"x0.43"	21/46.2

Wheelset included

MOUNTING OPTIONS FOR THE INGENUA COLLECTION

HARD SURFACE

UM-ROUNDSUPPORT-90



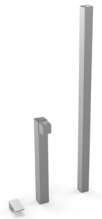
UM-ROUNDSUPPORT-80



	LxWxH cm	LxWxH ft	Weight kg/lbs	LxWxH cm packaging	LxWxH ft packaging	Weight kg/lbs packaging
UM-ROUNDSUPPORT-90	21,5x21,5x49	8.46"x8.46"x19.29"	3,8 / 8.3	50x22x22	19.69"x8.66"x8.66"	4,8/10.5
UM-ROUNDSUPPORT-80	21,5x21,5x49	8.46"x8.46"x19.29"	3,8 / 8.3	50x22x22	19.69"x8.66"x8.66"	4,8/10.5

SOFT SURFACE

INGROUNDANCHORAGE-90



INGROUNDANCHORAGE-80



	LxWxH cm	LxWxH ft	Weight kg/lbs	LxWxH cm packaging	LxWxH ft packaging	Weight kg/lbs packaging
INGROUNDANCHORAGE-90	90x15x4,5	35.43"x5.91"x1.97"	5,5 / 12.1	91x20x5	35.83"x7.87"x1.97"	6 / 13.2
INGROUNDANCHORAGE-80	90x15x4,5	35.43"x5.91"x1.97"	5,5 / 12.1	91x20x5	35.83"x7.87"x1.97"	6 / 13.2

NICE TO KNOW

- Spare parts available
- Designed and manufactured in Belgium
- Warranty between 10 and 2 years, please consult our warranty policy at www.umbrosa.com
- Download owner's manual (QR-code included), also available at www.umbrosa.com
- Wind speeds up to 6 beaufort, 50 km/h, 31 mph when base is permanently fixed (for details, please check our wind spec sheet)
- Tested at TU Delft

MOUNTING OPTIONS & BASES

SAFETY STATEMENTS & WARNINGS

- Product is suitable for light wind and/or light rain only.
- Position product in direction of wind as recommended in user manual.
- Do not use product in inclement weather, such as strong wind, thunderstorms, heavy rain or snow, and make sure that the umbrella is closed and stored in advance.
- Never allow the umbrella to flap in the wind. This could cause personal injury, damage to personal property, damage to umbrella and/or umbrella canopy.
- Close product and secure strap when not in use.
- Do not use product without its base or unless attached to building structure, and keep umbrella secured to umbrella base or mount at all times.
- Do not use product over or near harsh chemicals or open flames.
- Place product on stable and level surface.
- Do not allow children to assemble or operate product.
- Do not leave product unattended.
- Store product indoors during winter and extreme weather conditions.
- When adjusting or assembling the umbrella or umbrella base, make sure fingers, toes or any other parts of the body are clear from moving parts. Failing to do so may result in serious injury.
- Only use Umbrosa replacement parts.
- Read owner's manual.
- Any modifications to the product or failure to follow recommended care will void the warranty.
- Wind damage is not covered under our limited warranty.

CHARACTERISTICS	VALUES		UNITS	STANDARDS
	WARP	WEFT		

OVERALL CHARACTERISTICS

Composition	100% solution dyed acrylic		
Finish	Stain-resistant treatment: Exclusive Glen Raven formulation. Does not contain PFOS (perfluorooctanyl sulphonate)		
Weave	Weave		ISO 7211-1
Weight	260	g/m ²	ISO 3801
	6.17	lb/ft	
Width	137	cm	EN 1773
	53.94"	inch	

FABRIC STRENGTH

Tensile strength	160	80	daN	ISO 13934-1
Tear strength	7	3.7	daN	ISO 13937-1

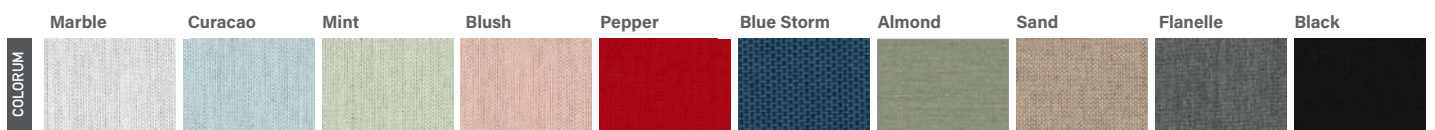
COLOR RESISTANCE

Color fastness UV	7/8	class/8	ISO 105 B02
Color fastness weather condition	7/8	class/8	ISO 105 B04

USE

Roll length	50	lm
	164	lf
Recommended use	parasols, cushions, upholstery	
Guarantee	3	Years
Temperature of use	-20 >> +70	°C
	-4 >> +158	°F

COLORS



*By Dickson (Sunbrella) and Tuvatextil (Agora)



Monitor/printer colors may vary. Please refer to actual fabric before making your final decision.

The content of this document, in particular the mentioned models, is protected by copyrights and/or design rights. The present document and its content is communicated to you for information purposes only. Any partial or total reproduction or any other use without our prior written permission is strictly prohibited. This technical sheet remains subject to possible changes. Of course we do our best to eliminate all mistakes, but Umbrosa is not responsible for the errors in the documentation of products. All measurements are approximate and are provided for informational purposes only.

CHARACTERISTICS	VALUES		UNITS	STANDARDS
	WARP	WEFT		

OVERALL CHARACTERISTICS

Composition	100% solution dyed acrylic		
Finish	Stain-resistant treatment: Exclusive Glen Raven formulation. Does not contain PFOS (perfluorooctanyl sulphonate)		
Weave	Weave		ISO 7211-1
Weight	255	g/m ²	ISO 3801
	6.05	lb/ft	
Width	137	cm	EN 1773
	53.94	inch	

FABRIC STRENGTH

Tensile strength	160	80	daN	ISO 13934-1
Tear strength	7	3.7	daN	ISO 13937-1

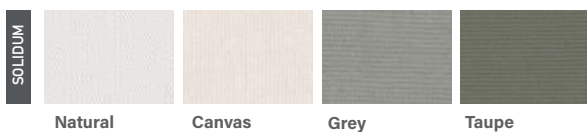
COLOR RESISTANCE

Color fastness UV	7/8	class/8	ISO 105 B02
Color fastness weather condition	7/8	class/8	ISO 105 B04

USE

Roll length	50	1m
	164	1f
Recommended use	parasols, cushions, upholstery	
Guarantee	3	Years
Temperature of use	-20 >> +70	°C
	-4 >> +158	°F

COLORS



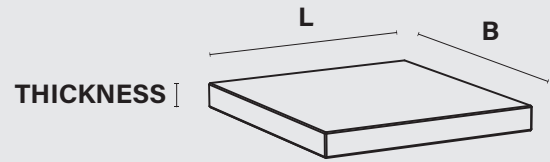
Monitor/printer colors may vary. Please refer to actual fabric before making your final decision.



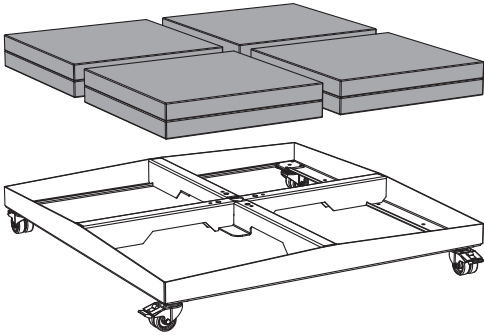
The content of this document, in particular the mentioned models, is protected by copyrights and/or design rights. The present document and its content is communicated to you for information purposes only. Any partial or total reproduction or any other use without our prior written permission is strictly prohibited. This technical sheet remains subject to possible changes. Of course we do our best to eliminate all mistakes, but Umbrosa is not responsible for the errors in the documentation of products. All measurements are approximate and are provided for informational purposes only.

MEDIUM / LARGE BASE TILE DIMENSIONS

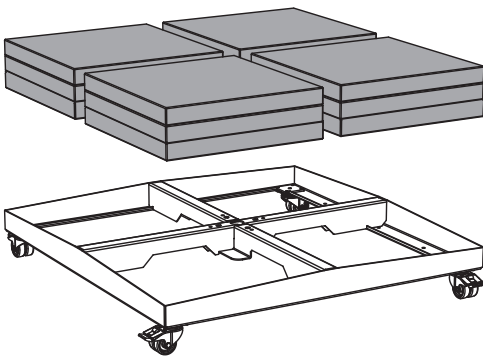
	MINIMUM	MAXIMUM
LxB	38 x 38 cm	40 x 40 cm
	15" x 15"	16" x 16"
THICKNESS	3.8 cm	4 cm
	1.5"	1.75"



MEDIUM BASE: 8 TILES



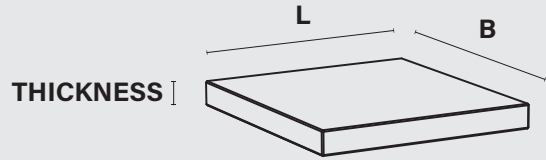
LARGE BASE: 12 TILES



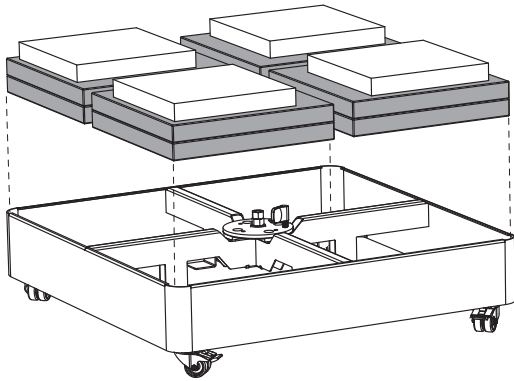
WHICH TILES FIT THE UMBROSA BASES?

UX BASE TILE DIMENSIONS

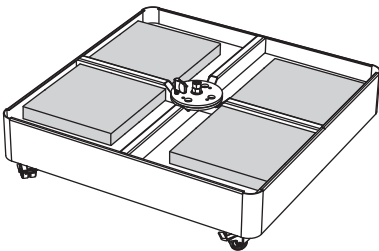
	MINIMUM	MAXIMUM
LxB	38 x 38 cm	40 x 40 cm
	15" x 15"	16" x 16"
THICKNESS	3.8 cm	4 cm
	1.5"	1.75"



UX BASE: 8 TILES + TOP LAYER**



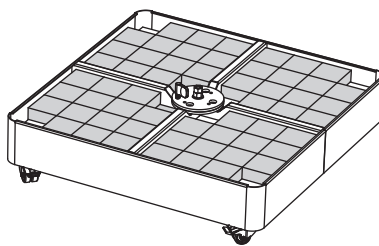
*3 TOP LAYER TILE OPTIONS



SMALLER CONCRETE TILE

example:

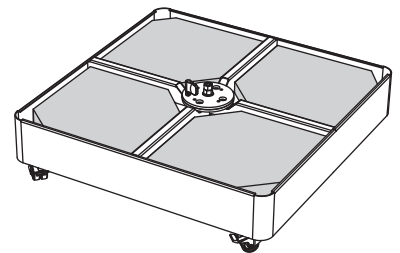
30x30 cm / 12"x12"
max. thickness = 4 cm / 1.75"



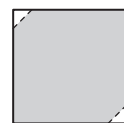
SMALL CONCRETE TILES

example:

10x10 cm / 0.4"x0.4"
max. thickness = 4 cm / 1.75"



CONCRETE TILE WITH 2X CORNER CUT



The content of this document, in particular the mentioned models, is protected by copyrights and/or design rights. The present document and its content is communicated to you for information purposes only. Any partial or total reproduction or any other use without our prior written permission is strictly prohibited. This technical sheet remains subject to possible changes. Of course we do our best to eliminate all mistakes, but Umbrosa is not responsible for the errors in the documentation of products. All measurements are approximate and are provided for informational purposes only.